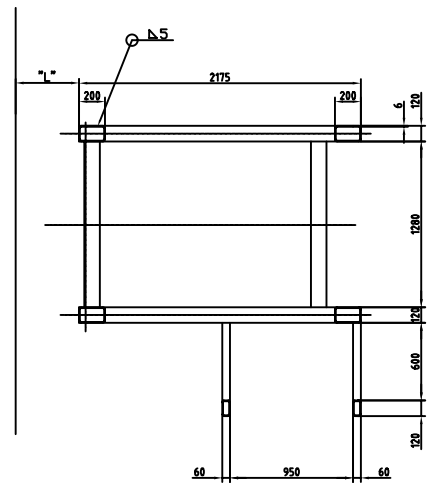
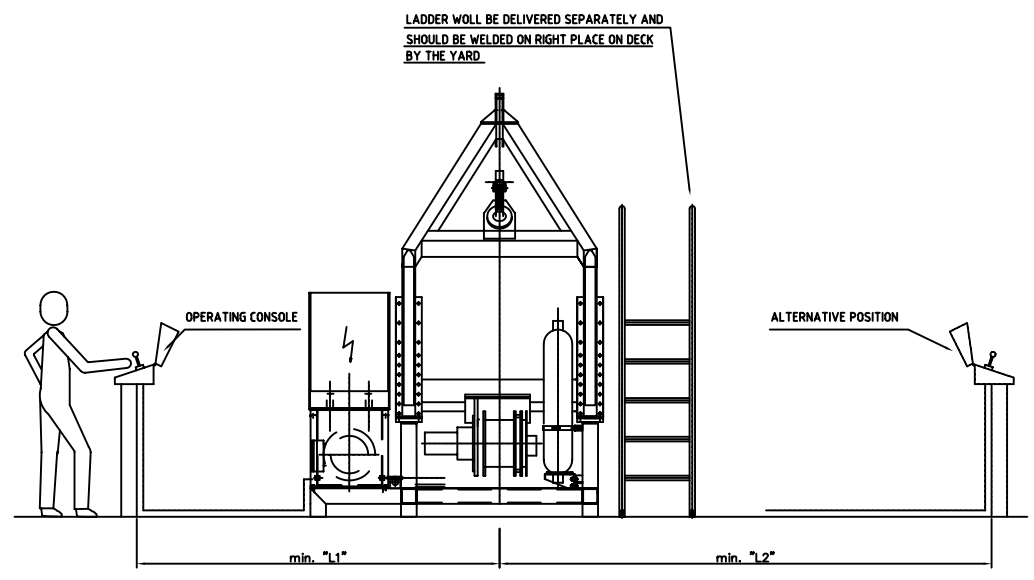
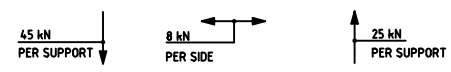
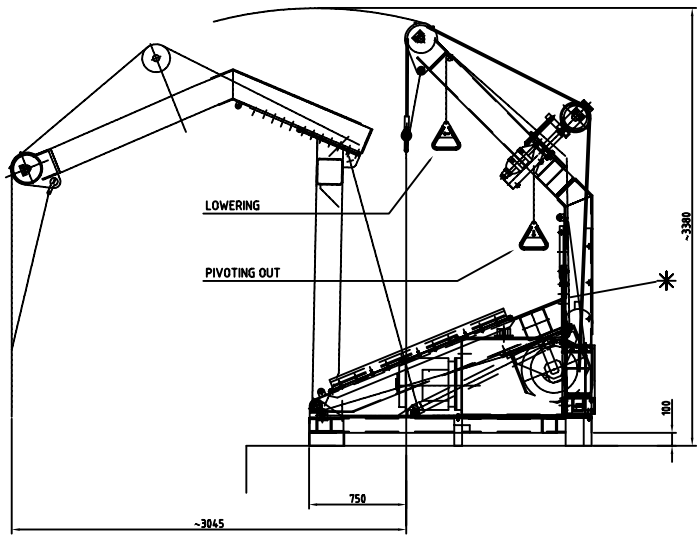


This drawing is for information only and must not be used for construction or fabrication, prior to final design.





FOOTPRINTS ON DECK

* = BOLT CONNECTION
M16x55 mat. 8.8
= TIGHTENING TORQUE 200 Nm
SURFACES LUBRICATED WITH MS 02

S.W.L.	20 kN
Workshop test (static) 2.2 x S.W.L.	44 kN
Board test (dynamic) lowering only 1.1 x S.W.L.	22 kN

ITEM	WEIGHT
DAVIT WITH WINCH	1250 kg
OPERATION CONSOLE	125 kg
ACCUMULATOR	85 kg
HYDR.POWER PACK	830 kg
OIL TOTAL	200 kg
WEIGHT TOTAL WET APPROX.	2490 kg

 NED-DECK MARINE Davit Systems & Deck Equipment				DRAWN: P.vB DATE: 28-03-'93 APPROVED: - SCALE: 1:25 DRAWING NUMBER: A-100664	PROJECT: NEN-ISO 2768-1 PROJECTOR:  SIZE: A1 SHEET: C
<small>This drawing is the property of NED-DECK MARINE B.V. and may not be reproduced or distributed in whole or in part without their explicit written consent.</small>					