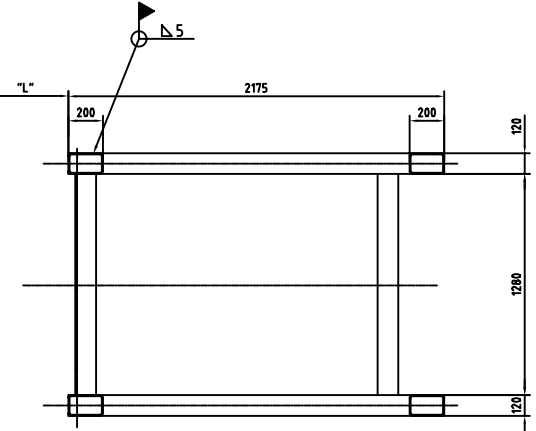
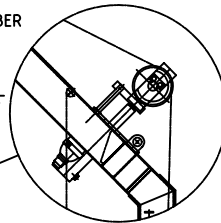
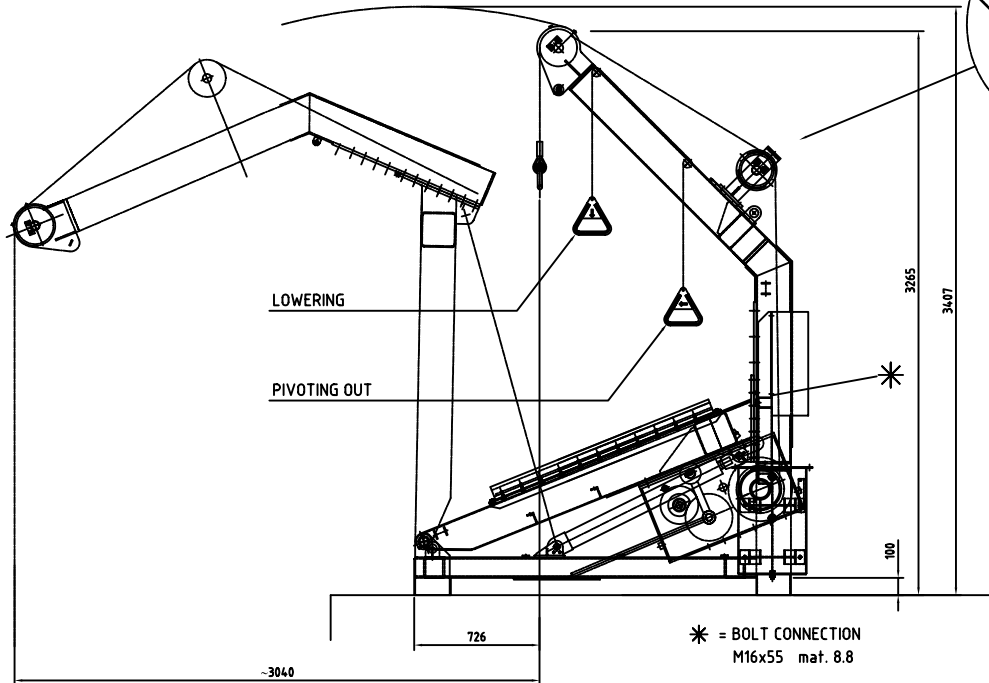


OPTIONAL:
SHOCK ABSORBER

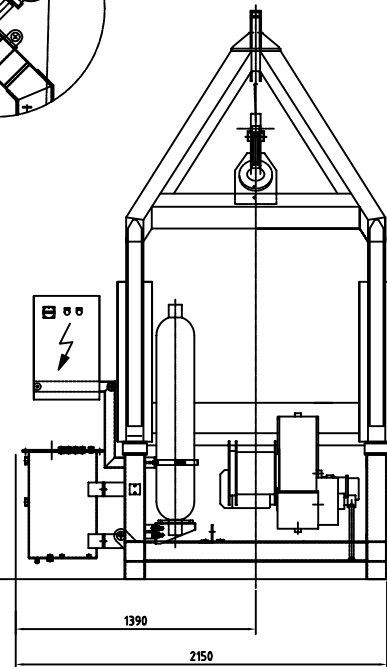


FOOTPRINTS ON DECK

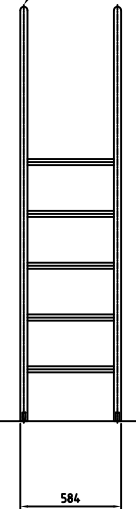


* = BOLT CONNECTION
M16x55 mat. 8.8

= TIGHTENING TORQUE 200 Nm
SURFACES LUBRICATED WITH MS 02

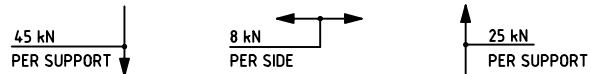


LADDER WILL BE DELIVERED SEPARATELY AND
SHOULD BE WELDED ON RIGHT PLACE ON DECK
BY THE YARD



ITEM	WEIGHT
DAVIT WITH WINCH	1320 kg
E-CABINET	30 kg
ACCUMULATOR	80 kg
HYDR.POWER PACK	100 kg
OIL TOTAL	45 kg
WEIGHT TOTAL WET APPROX.	1575 kg

S.W.L.	20 kN
Workshop test (static) 2.2 x S.W.L.	44 kN
Board test (dynamic) lowering only 1.1 x S.W.L.	22 kN



This drawing is for information only and must not be used for construction or fabrication, prior to final design.

REV.		DESCRIPTION	DATE	BY	CHK	APP.	DATE	BY	CHK	APP.
1	1	ISSUED	23-03-03							
2	1	REVISION								
3	1	REVISION								
4	1	REVISION								
5	1	REVISION								
6	1	REVISION								
7	1	REVISION								
8	1	REVISION								
9	1	REVISION								
10	1	REVISION								

NED-DECK MARINE
Marine Equipment & Deck Equipment

Address: 37110, St. Vincent
Tel: +385 21 242 2220
Fax: +385 21 242 2221
www.ned-deckmarine.com

HYDRAULIC PIVOTING DAVIT "PRHE 20"

REVISION: RevD
DATE: 23-03-03
SCALE: 1:15
DRAWING NUMBER: A-100661

PROJ. NUMBER: NEN-ISO 2768-1
PROJ. NAME: PRODUCTION

DATE: A1
REVISION: F