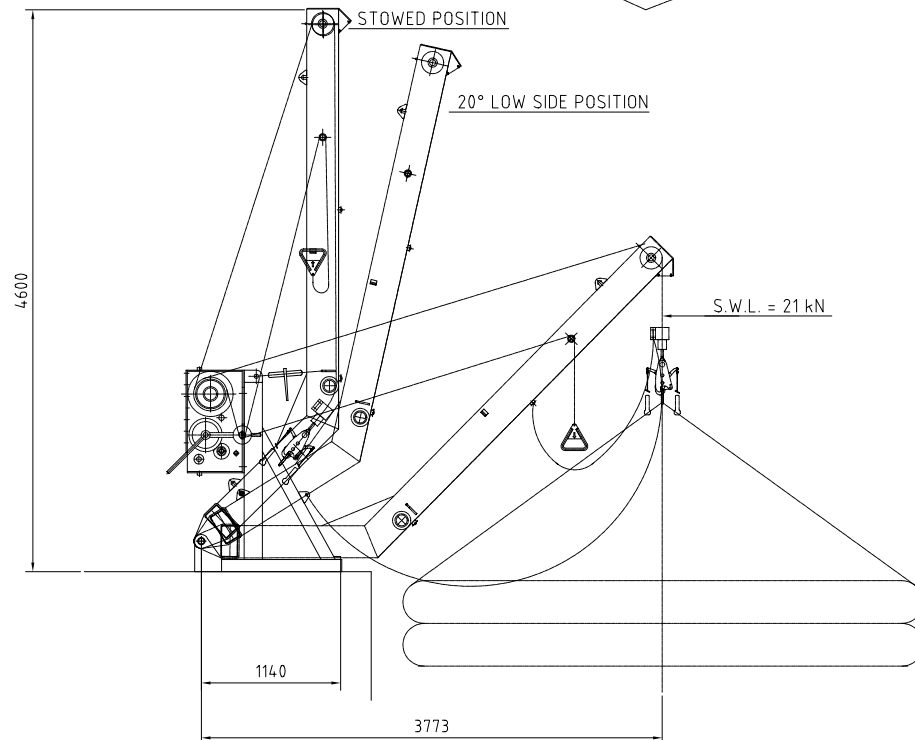
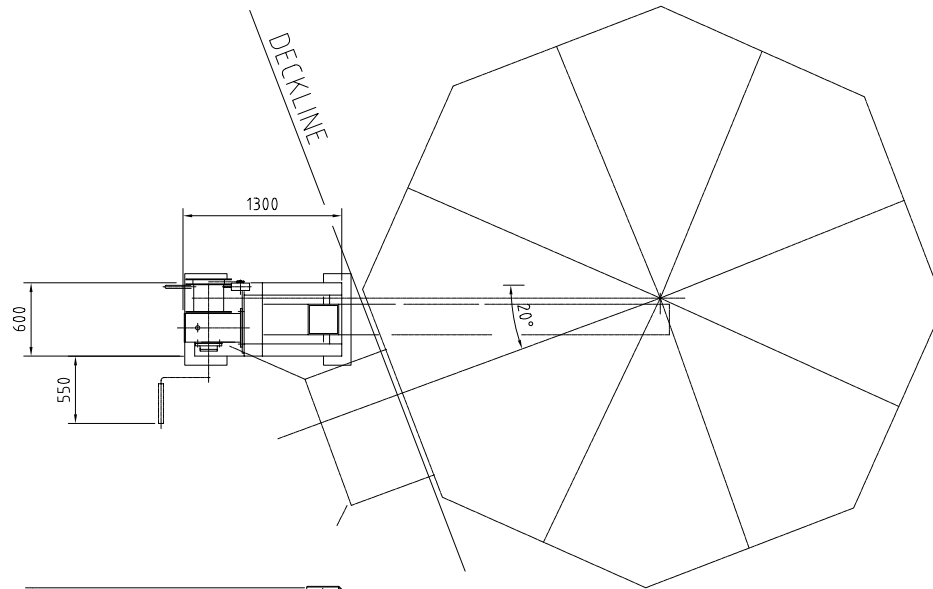
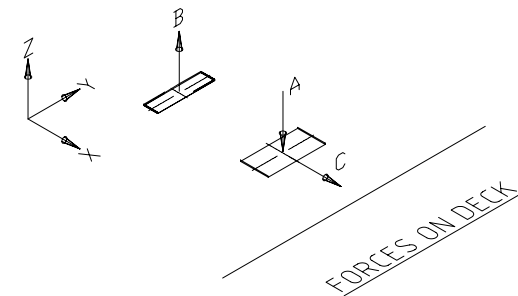
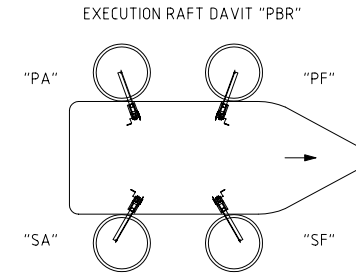


This drawing is for information only and must not be used for construction or fabrication, prior to final design.



LIFTING HOOK HAS TO BE ORDERED SEPARATELY
 EXECUTION PF & SA HAS BEEN DRAWN
 EXECUTION PA & SF IS IN OPPOSITE HAND



Support loads [kN] per system	A	B	C
System outboard, +20° roll	131	88	16

Approx. davit weight:
 (without oil)
 1100 Kg.

POSNR.	QUANT.	DESCRIPTION	MATERIAL	REMARKS	WEIGHT
		TITEL	GRAVITY PIVOTING DAVIT "PBR 21"		
		DRAWN: RvB	TOLERANCES		
		DATE: 24-02-04	NEN-ISO 2768-1		
		APPROVED: -	PROJECTION		
		SCALE: 1:30	DRAWING NUMBER		
			SIZE	REVISION	
			A2	B	

NED-DECK MARINE
 Survival Systems & Deck Equipment

Vollstraat 22
 3771 RZ Barneveld
 Tel: (+31) 342-442295
 Fax: (+31) 342-492117

This drawing is the property of NED-DECK MARINE B.V. and may not be reproduced or distributed to third parties without their specific written consent

A-100907