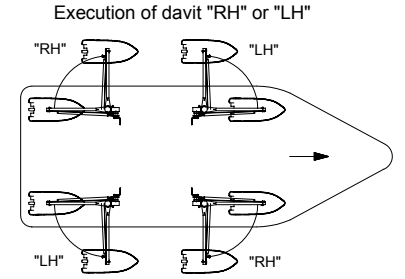
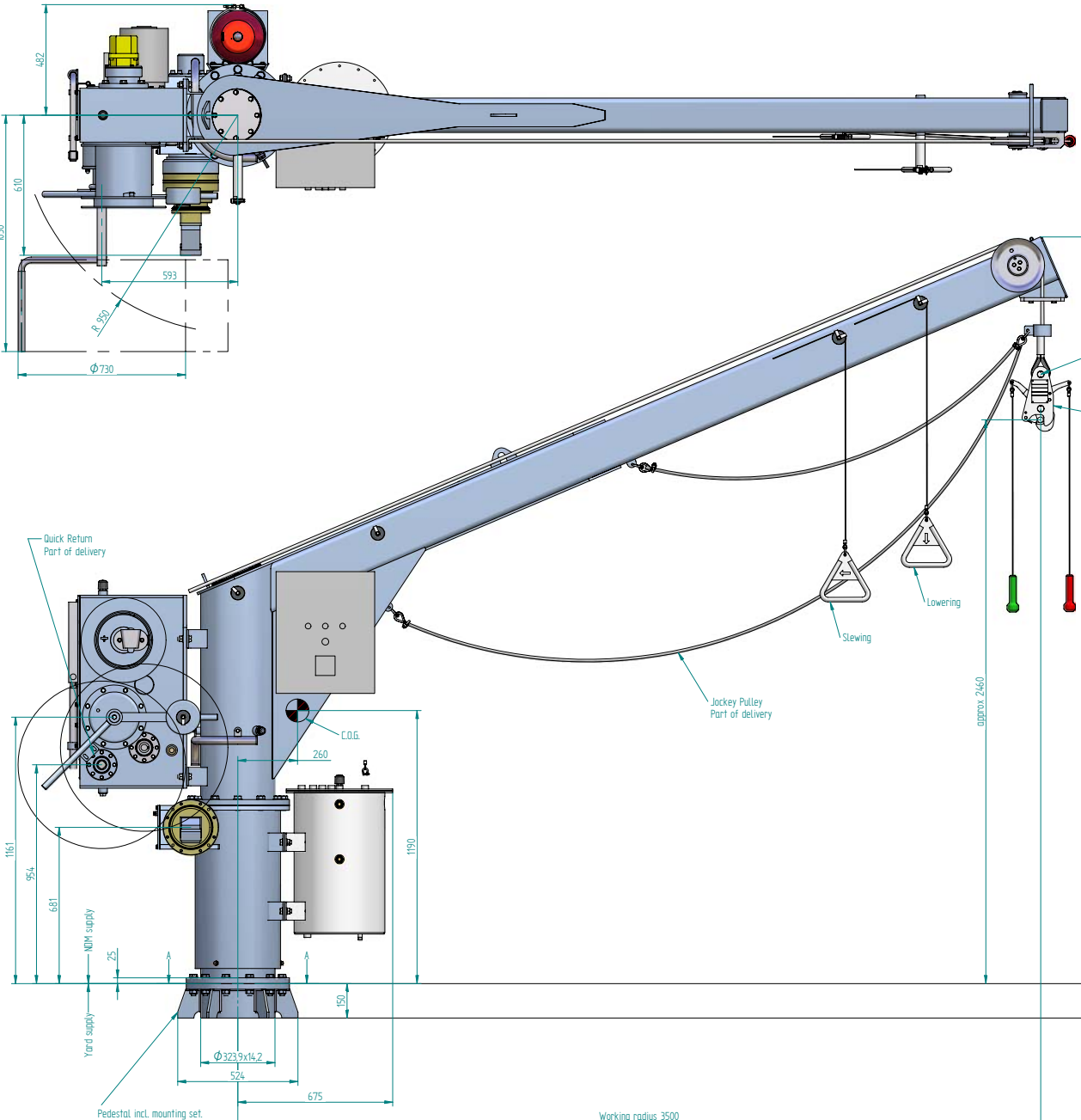
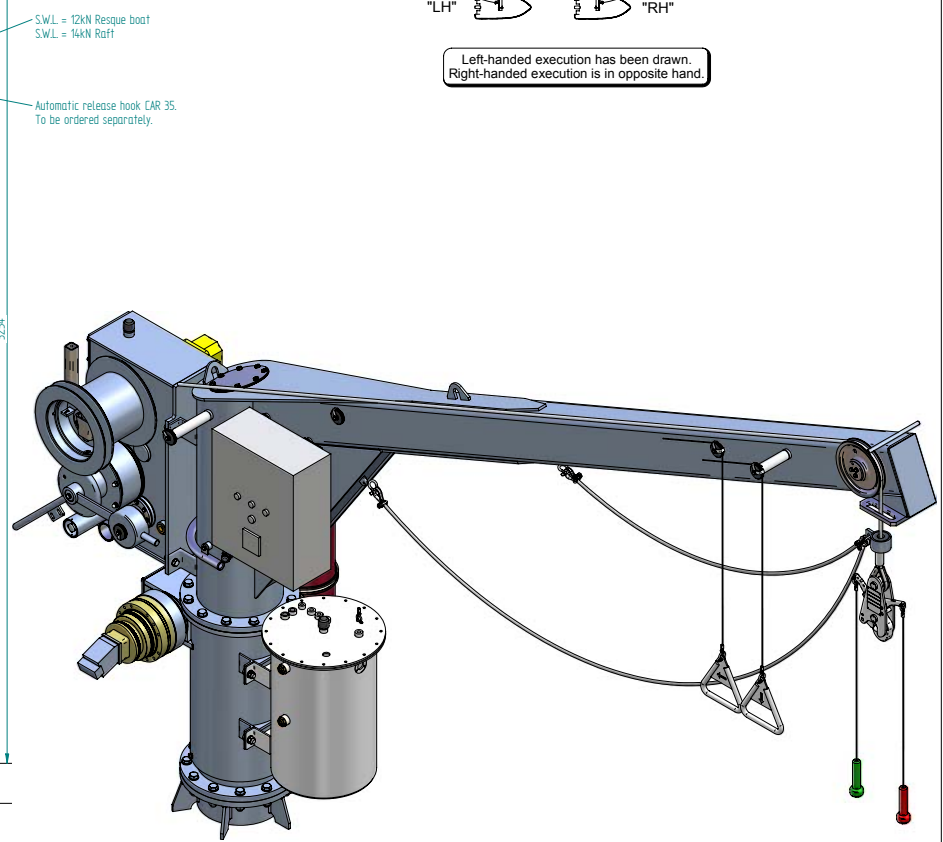


# SEASIDE

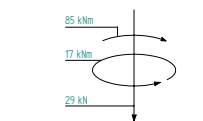
This drawing is for information only and must not be used for construction or fabrication, prior to final design.



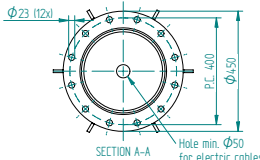
Left-handed execution has been drawn. Right-handed execution is in opposite hand.



S.W.L. = 12kN Rescue boat  
S.W.L. = 14kN Raft  
Automatic release hook CAR 35. To be ordered separately.



All forces are static calculated, taken under 10°/20° acc. SOLAS



Foundation connection parts:  
-12 Bolts M20x80, quality 8.8, DIN 931  
-12 Nuts M20, quality 8, DIN 934  
-24 Washers M20, DIN 126

Tightening torque without lubrication = 415 Nm

Ned-Deck Marine reserves the right to change the product design, materials, and specifications without incurring obligations. Responsibility for the use and application of the product rests with the user.

Total mass approx: 1349,4 kg

Name		Title		DRAWN: AM		TOLERANCES:	
Description		Hydraulic slewing davit "SCH 14/12-3.5 LR LH"		DATE: 30-11-07		NEN-ISO 2768-1	
Date		NED-DECK MARINE		PRODUCTION:		SCALE: 1:10	
Rev		Survival Systems & Deck Equipment		DRAWING NUMBER:		SIZE: A1	
		Ambschtingweg 10		REVISION:		File: 3A-100675	
		3771 MG Bärneveld		This drawing is the property of NED-DECK MARINE B.V. The Netherlands		It may not be copied or shown to any third parties.	
		Tel.: (31) 342-422105					
		Fax: (31) 342-492717					
		www.neddeckmarine.com					