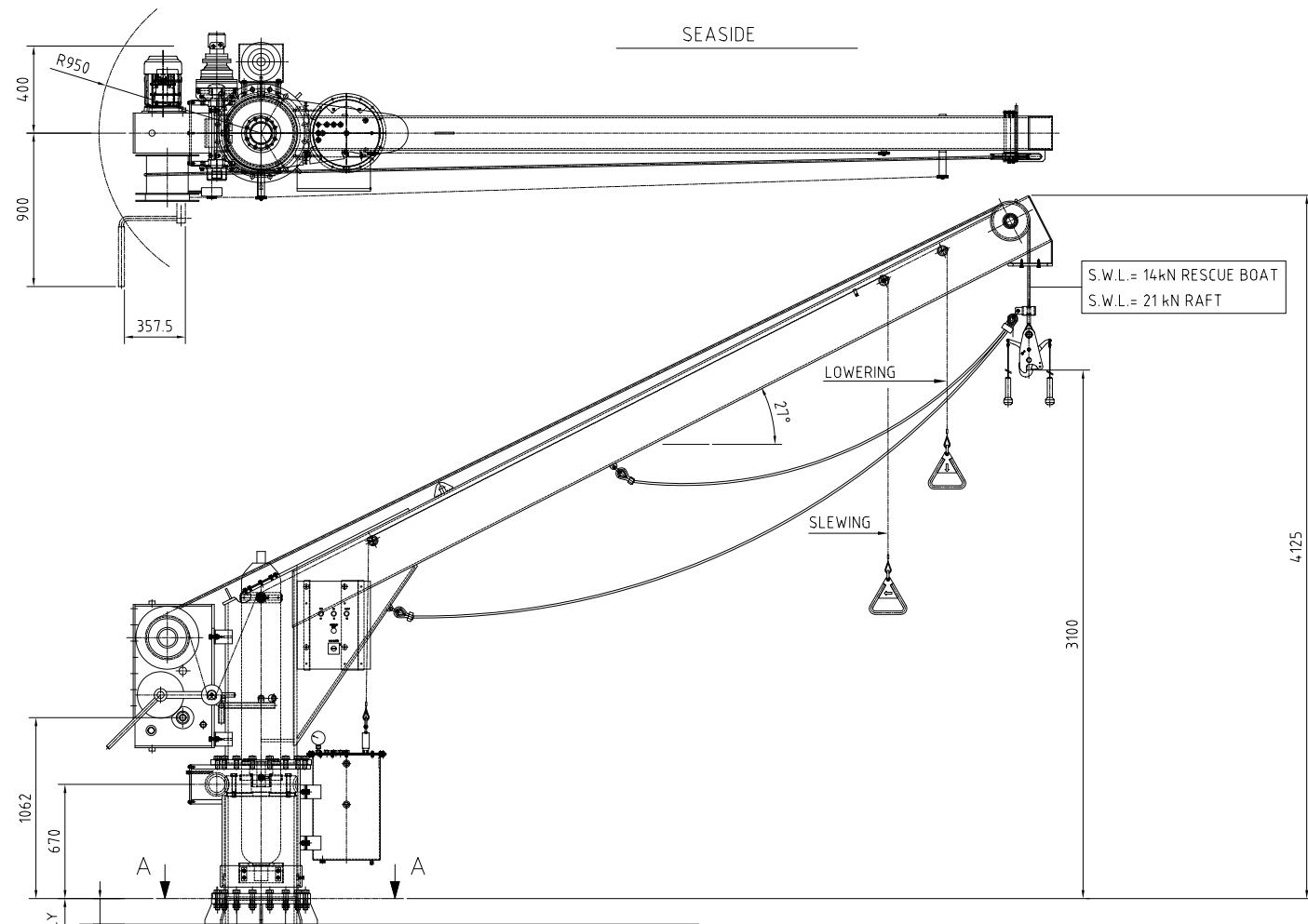
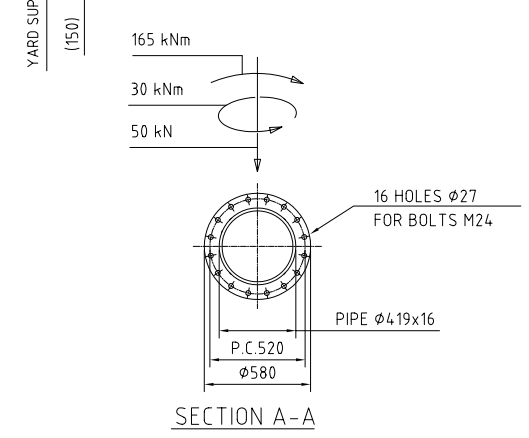
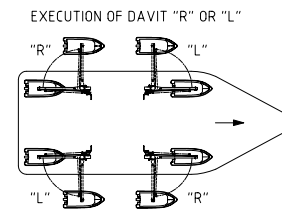


This drawing is for information only and must not be used for construction or fabrication, prior to final design.



LIFTING HOOK AND PEDESTAL
HAVE TO BE ORDERED SEPARATELY

LEFT-HANDED EXECUTION HAS BEEN DRAWN
RIGHT-HANDED EXECUTION IS IN OPPOSITE HAND



FOUNDATION CONNECTION PARTS
 - 16 BOLTS M24x100, QUALITY 8.8, DIN 931
 - 16 NUTS M24 QUALITY 8, DIN 934
 - 32 WASHERS 25, DIN 125
 PRESPLAN MOMENT=660 Nm

Approx. davitweight:
(without oil)
1753 Kg.

POSNR.	QUANT.	DESCRIPTION	MATERIAL	REMARKS	WEIGHT
D	15.6.01	update distance	RvB		
C	20.9.04	update	RvB		
B	24.8.04	Boil length	RvB		
A	15.9.93	update weight	RvB		
	Rev.	Date	Description	Name	
TITEL HYDRAULIC SLEWING DAVIT "SCH 21/14-4.5 LR"					
NED-DECK MARINE Survival Systems & Deck Equipment Vollastraat 22 3771 RZ Barneveld Tel: (+31) 342-42295 Fax: (+31) 342-49217			DRAWN: RvB DATE: 01-04-'03 APPROVED: - SCALE: 1:20	TOLERANCES NEN-ISO 2768-1 PROJECTION 	
			DRAWING NUMBER A-100676	SIZE A2	REVISION D

This drawing is the property of NED-DECK MARINE B.V. and may not be reproduced or distributed to third parties without their specific written consent