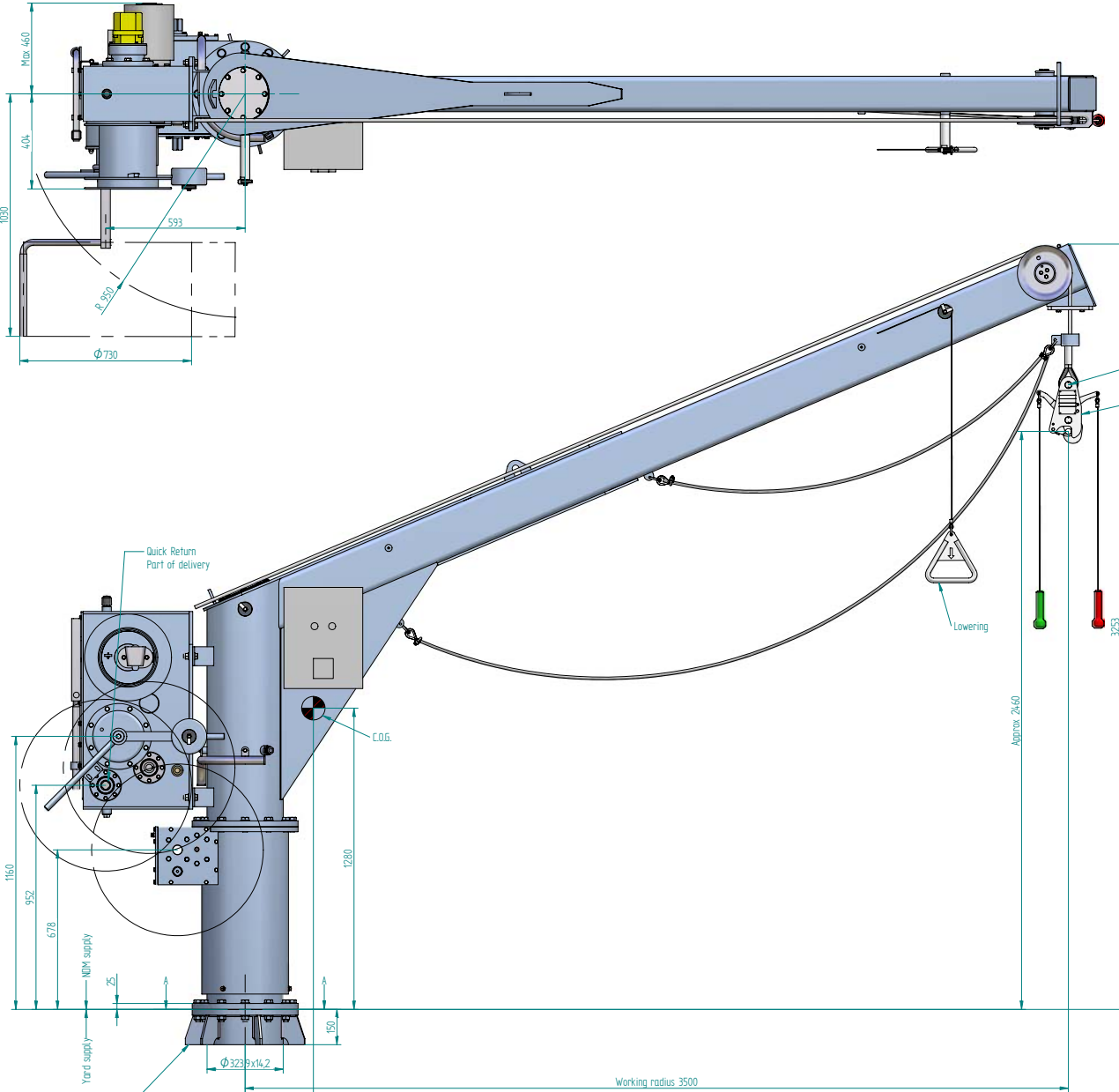
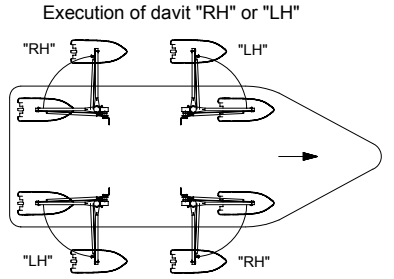


# SEASIDE

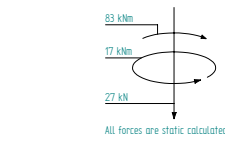
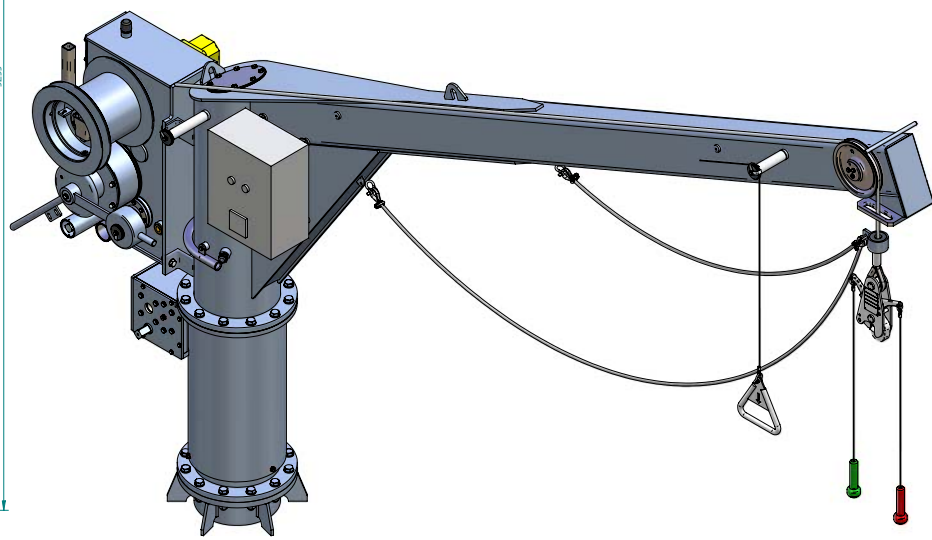
This drawing is for information only and must not be used for construction or fabrication, prior to final design.



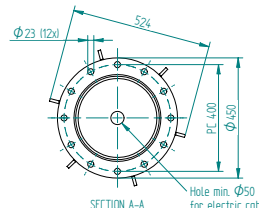
S.W.L = 10kN Rescue boat  
S.W.L = 14kN Raft  
Automatic release hook CAR 35.  
To be ordered separately.



Left-handed execution has been drawn.  
Right-handed execution is in opposite hand.



All forces are static calculated, taken under 10°/20° acc. SOLAS



Foundation connection parts:  
-12 Bolts M20x80, quality 8.8, DIN 931  
-12 Nuts M20, quality 8, DIN 934  
-24 Washers M20, DIN 126

Tightening torque without lubrication = 415 Nm

Total mass approx. 1133,4 kg

Ned-Deck Marine reserves the right to change the product design, materials, and specifications without incurring obligations. Responsibility for the use and application of the product rests with the user.

<b>TITLE</b> Manual slewing davit "SCM 14/10-3.5 LR LH"		DRAWN: AM DATE: 27-12-07 APPROVED:	TOLERANCES: NEN-ISO 2768-1
<b>MANUFACTURER</b> NED-DECK MARINE Survival Systems & Deck Equipment Ambachtsweg 10 3771 MG Barneveld Tel.: (31) 342-422105 Fax: (31) 342-492717 www.neddeckmarine.com		SCALE: 1:10 DRAWING NUMBER:	PROJECTION:
This drawing is the property of NED-DECK MARINE B.V. The Netherlands It may not be copied or shown to any third parties.		FILE: 3A-100673	SIZE: A1 REVISION: