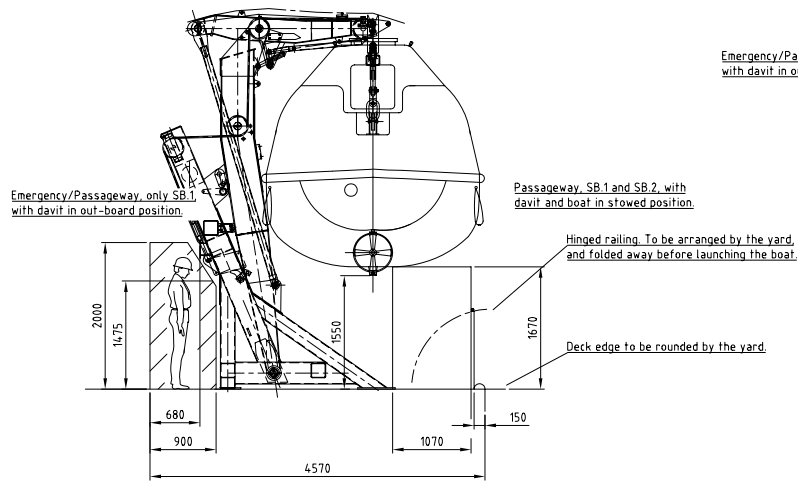
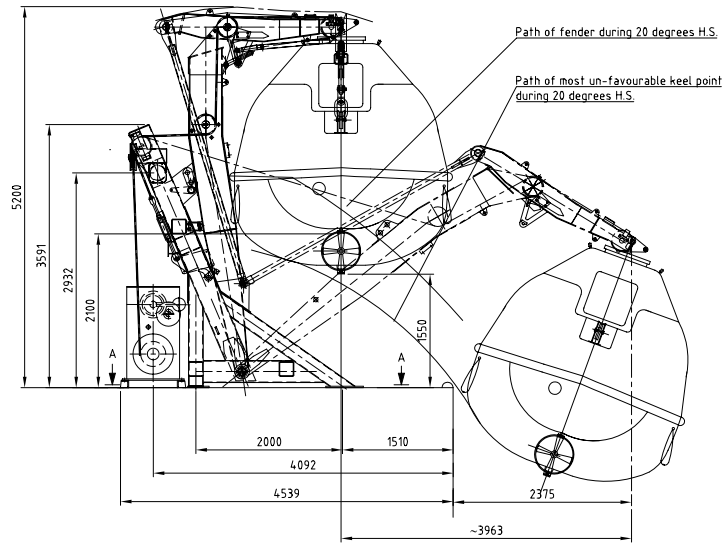


View SB.1

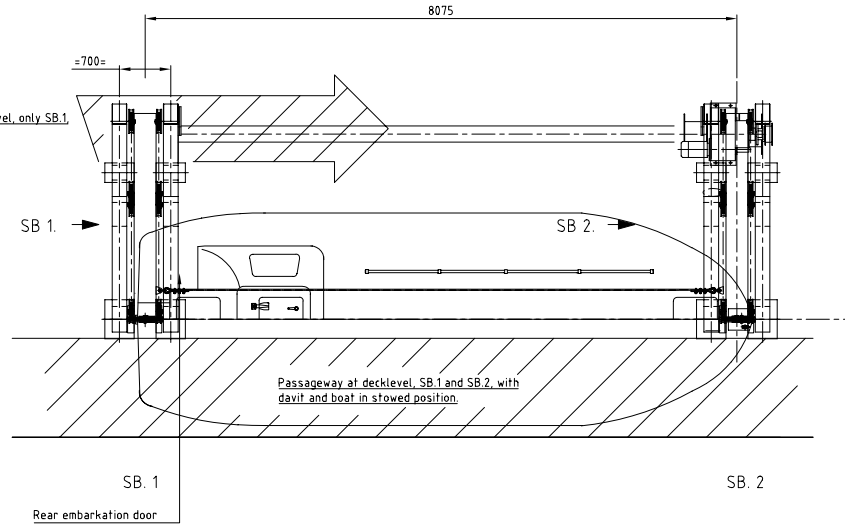


View SB.2



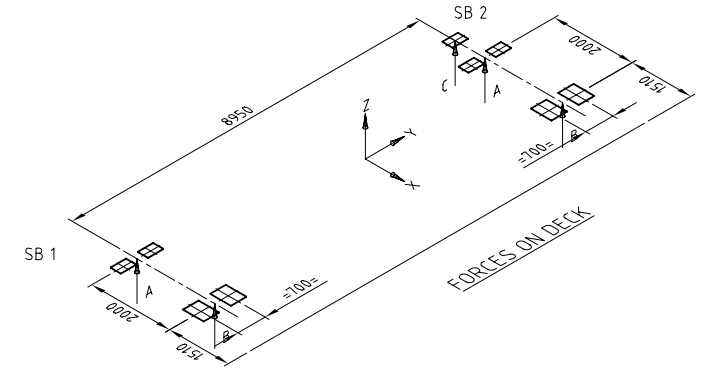
Max. lowering height to ship's L.W.L. approx. 30m in most unfavourable position.

SAILING DIRECTION



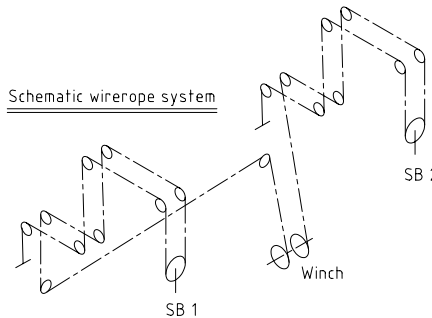
SECTION A-A

S.W.L. Per arm	67,5 kN
Workshop test (static) 2.2 x S.W.L.	148,5 kN
Board test (dynamic) lowering only 1.1 x S.W.L.	74,25 kN



Support loads [kN] per system	A	B	C
System inboard, -20° roll	-1	-115	+28
System outboard, +20° roll	+120	-234	+28

Schematic wirerope system



Davit type: Starboard execution - Position winch "Front stool",
Winch type: RBL.

This drawing is for information only and must not be used for construction or fabrication, prior to final design.

POSNR.	QUANT.	DESCRIPTION	MATERIAL	REMARKS	WEIGHT
		Name	TITEL: MULTI-PIVOTING GRAVITY DAVIT "LPLG 135"		
		Description	DRAWN: RvB DATE: 20-09-04 APPROVED: - SCALE: 1:50 DRAWING NUMBER: A-101135		
		Rev. Date	TOLERANCES: NEN-ISO 2768-1 PROJECTION:		
			 NED-DECK MARINE Survival Systems & Deck Equipment Vollastraat 22 3771 RZ Barneveld Tel: (+31) 342-422905 Fax: (+31) 342-492117		SIZE: A2 REVISION: -
This drawing is the property of NED-DECK MARINE B.V. and may not be reproduced or distributed to third parties without their specific written consent.					