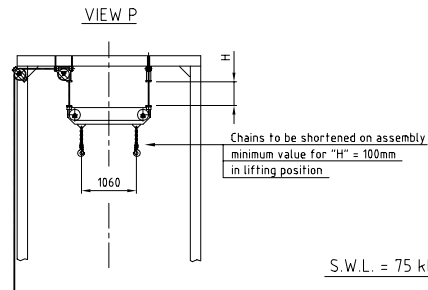
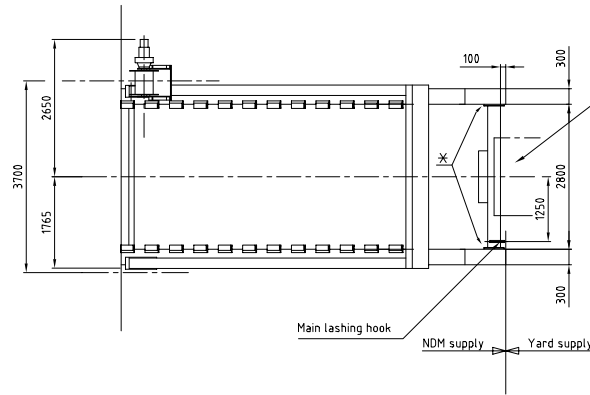
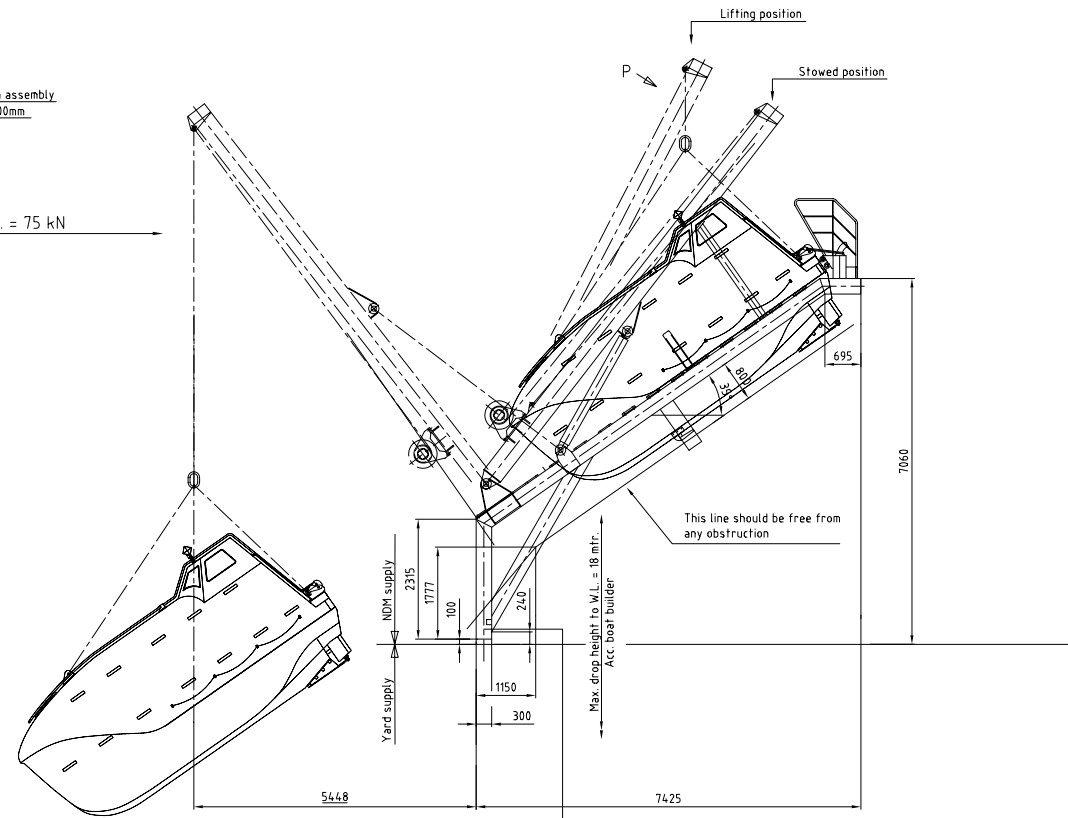


This drawing is for information only and must not be used for construction or fabrication, prior to final design.

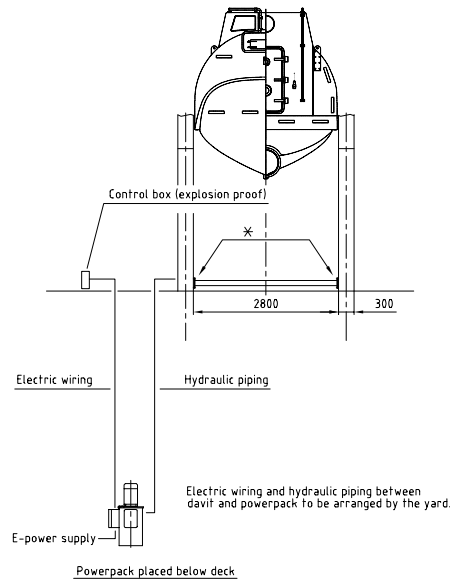


S.W.L. = 75 kN



| SPECIFICATIONS | |
|---------------------------------|------------------------|
| MANUFACTURER DAVIT TYPE | NED-DECK MARINE FFH-75 |
| MANUFACTURER BOAT | VANGUARD |
| BOAT WEIGHT incl.FUEL EQUIPMENT | 4000 kG |
| NUMBER OF PERSONS | 36 |
| TYPE OF BOAT | VG67FF |

| ITEM | WEIGHT |
|--------------------------|---------|
| DAVIT WITH WINCH approx. | 6000 kG |
| HYDR.POWER PACK | 175 kG |
| OIL TOTAL | 85 kG |
| WEIGHT TOTAL WET APPROX. | 6800 kG |



FOR SCOPE OF SUPPLY SEE ORDER

Sheaves and pivotpoints contain self-lubricated bushes which have to be greased prior to assembly

All separate delivered parts to be welded or mounted by yard

* Connection flanges after mounting to be welded together by yard

| | | | | | |
|--|--|---|--|--|--|
| | | NED-DECK MARINE Survival Systems & Deck Equipment | | DRAWN: RvB DATE: 16-04-04 APPROVED: - SCALE: 1:50 DRAWING NUMBER: A-100957 | TOLERANCES: NEN-ISO 2768-1 PROJECTION: SIZE: A1 REVISION: A |
| Valstraat 22, 3716Z Bunnik, Tel: +31 362-42785, Fax: +31 362-42771 | | | | | |
| This drawing is the property of NED-DECK MARINE B.V. and may not be reproduced or distributed to third parties without their specific written consent. | | | | | |