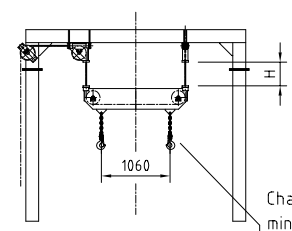


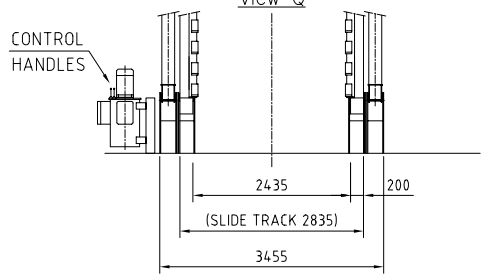
This drawing is for information only and must not be used for construction or fabrication, prior to final design.

View P

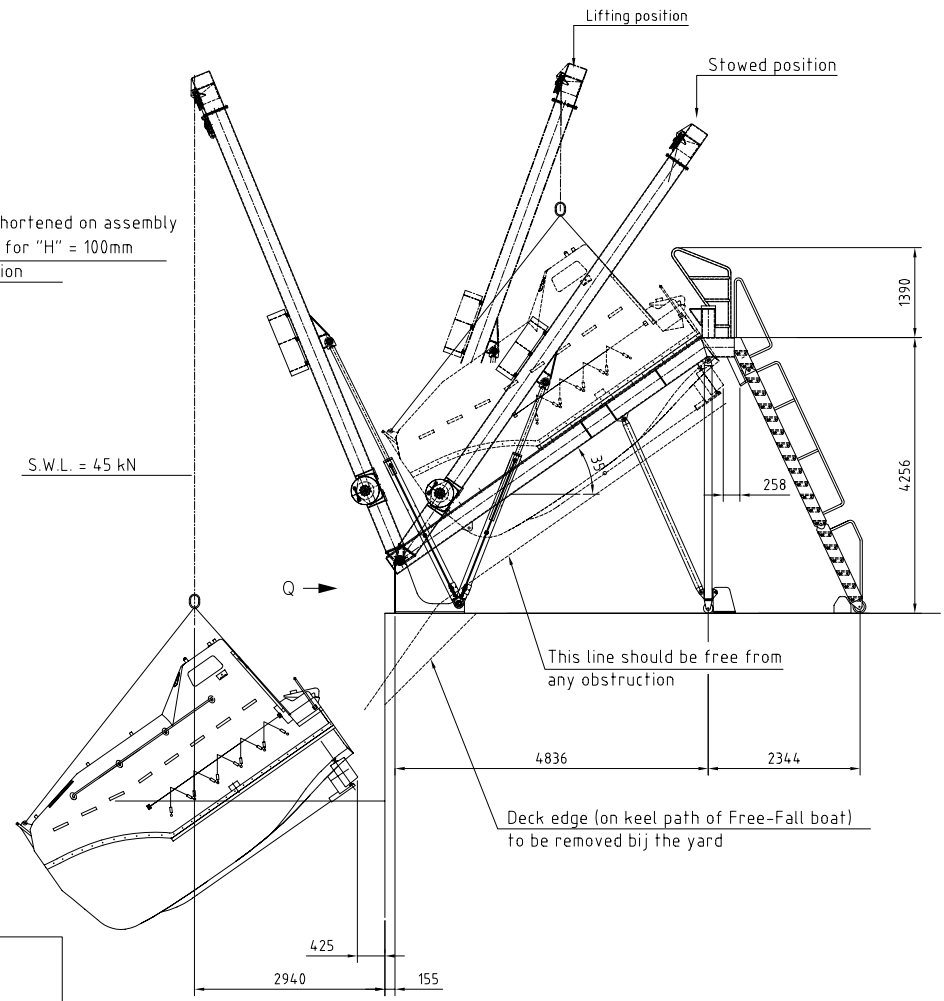


Chains to be shortened on assembly minimum value for "H" = 100mm in lifting position

View Q



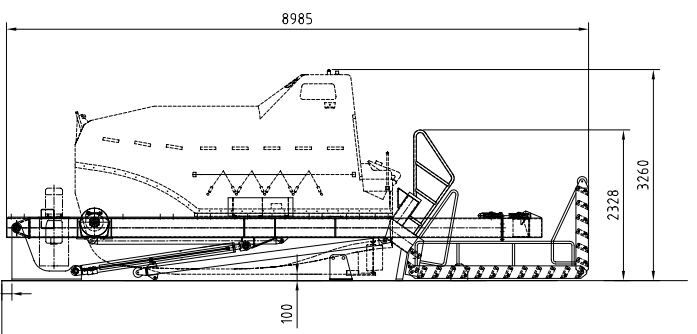
S.W.L. = 45 kN



Deck edge (on keel path of Free-Fall boat) to be removed by the yard

SPECIFICATIONS	
MANUFACTURER DAVIT	NED-DECK MARINE
S.W.L.	4500 KG
TYPE	FFH-45
MANUFACTURER BOAT	Jiangyin Xinjiang
BOAT WEIGHT incl.FUEL,EQUIPMENT	max.3055 KG
NUMBER OF PERSONS	19
TYPE OF BOAT	JY-FN-4.9

ITEM	WEIGHT
DAVIT WITH WINCH	3560 KG
HYDR-POWER PACK	155 KG
OIL TOTAL	85 KG
WEIGHT TOTAL APPROX.	3800 KG



FOR SCOPE OF SUPPLY SEE ORDER

Sheaves and pivotpoints contain self-lubricated bushes with have to be greased prior to assembly

All separate delivered parts to be welded or mounted by yard

\* Connexion flanges after mounting to be welded together by yard

		<b>NED-DECK MARINE</b> Survival Systems & Deck Equipment		DRAWN: RvB DATE: 28-11-'03	TOLERANCES NEN-ISO 2768-1
Validation 02 37162, Boulevard F4 / 118 942-42765 Fax: 0183 363-42771		APPROVED: - SCALE: 1:20	PRODUCTION	DRAWING NUMBER: A-100838	
* This drawing is the property of NED-DECK MARINE B.V. and may not be reproduced or distributed to third parties without their specific written consent				SIZE: A1	REVISION: A