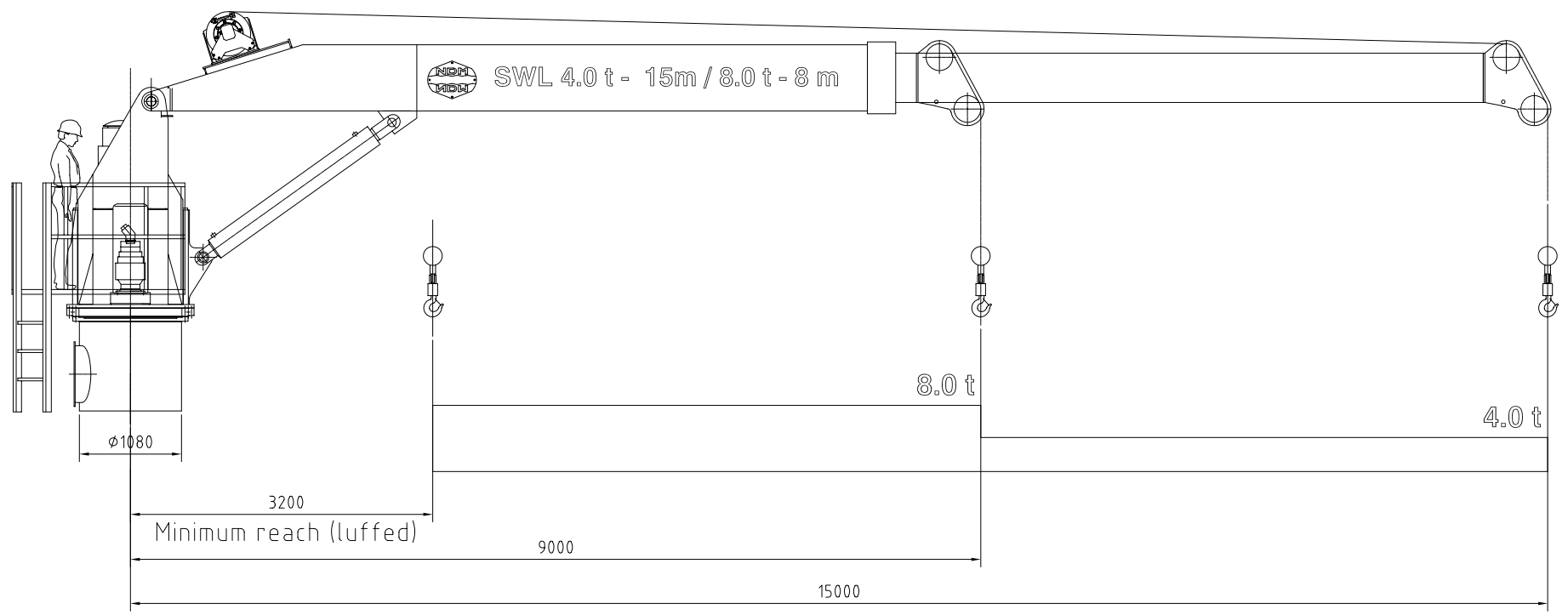
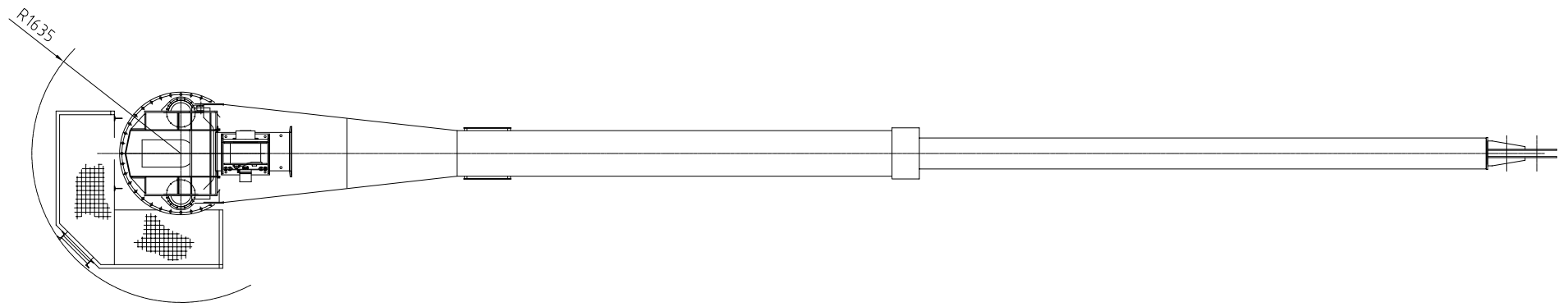

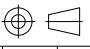


This drawing is for information only and must not be used for construction or fabrication, prior to final design.



POSNR.	QUANT.	DESCRIPTION	MATERIAL	REMARKS	WEIGHT
		TITEL: Hydr.luff.-slew.&telescoping crane "SCTT 40/08-15/8"			
		 NED-DECK MARINE Survival Systems & Deck Equipment Vollastraat 22 3771 RZ Barneveld Tel: (+31) 342-422905 Fax: (+31) 342-492117	DRAWN: RvB		TOLERANCES
			DATE: 05-07-02		NEN-ISO 2768-1
			APPROVED: -		PROJECTION
			SCALE: 1:33		
D		Rev. Date	DRAWING NUMBER		SIZE
B		A. 17.09.01 Update	A-100541		REVISION
					A2
					A

This drawing is the property of NED-DECK MARINE B.V. and may not be reproduced or distributed to third parties without their specific written consent