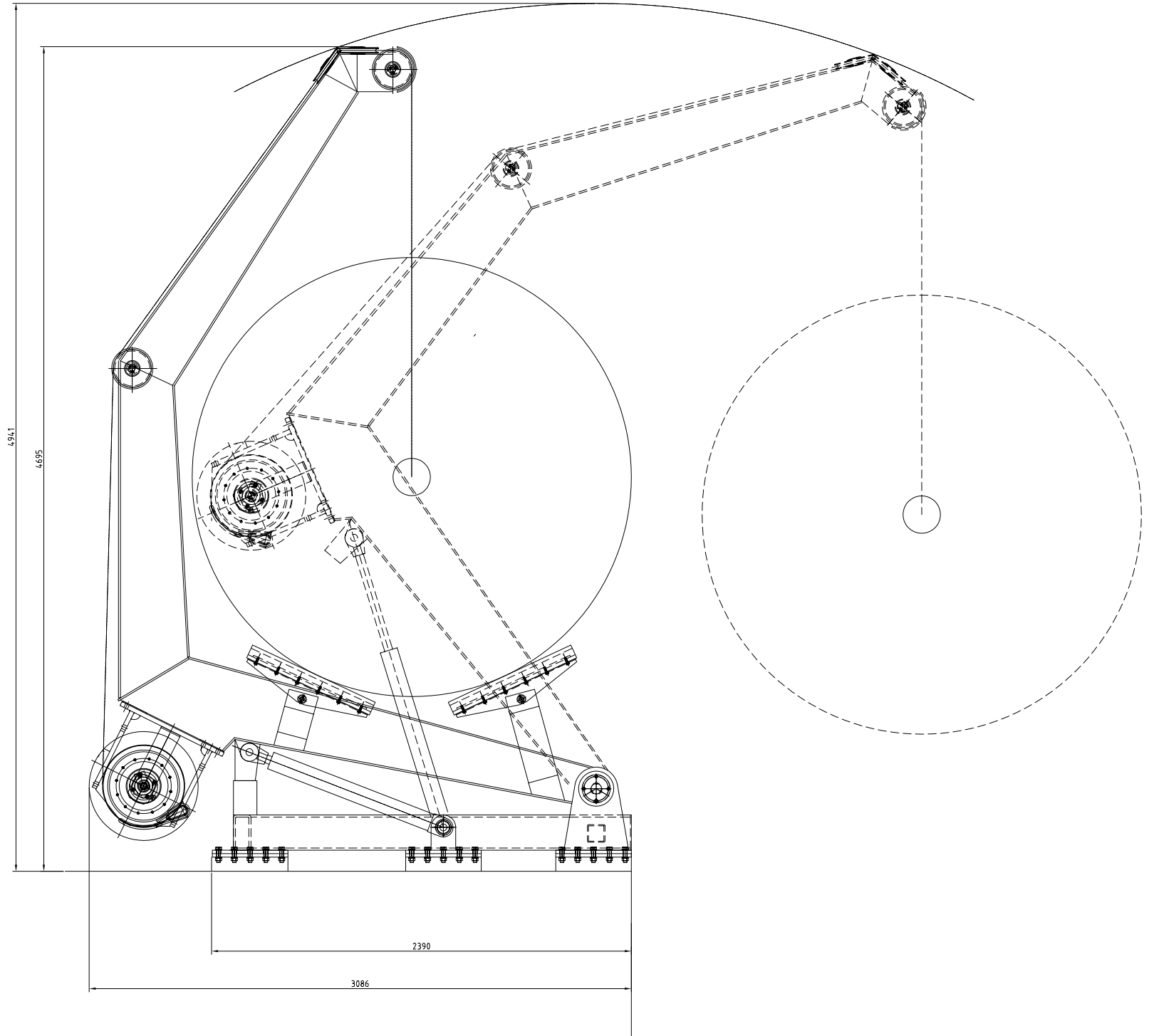
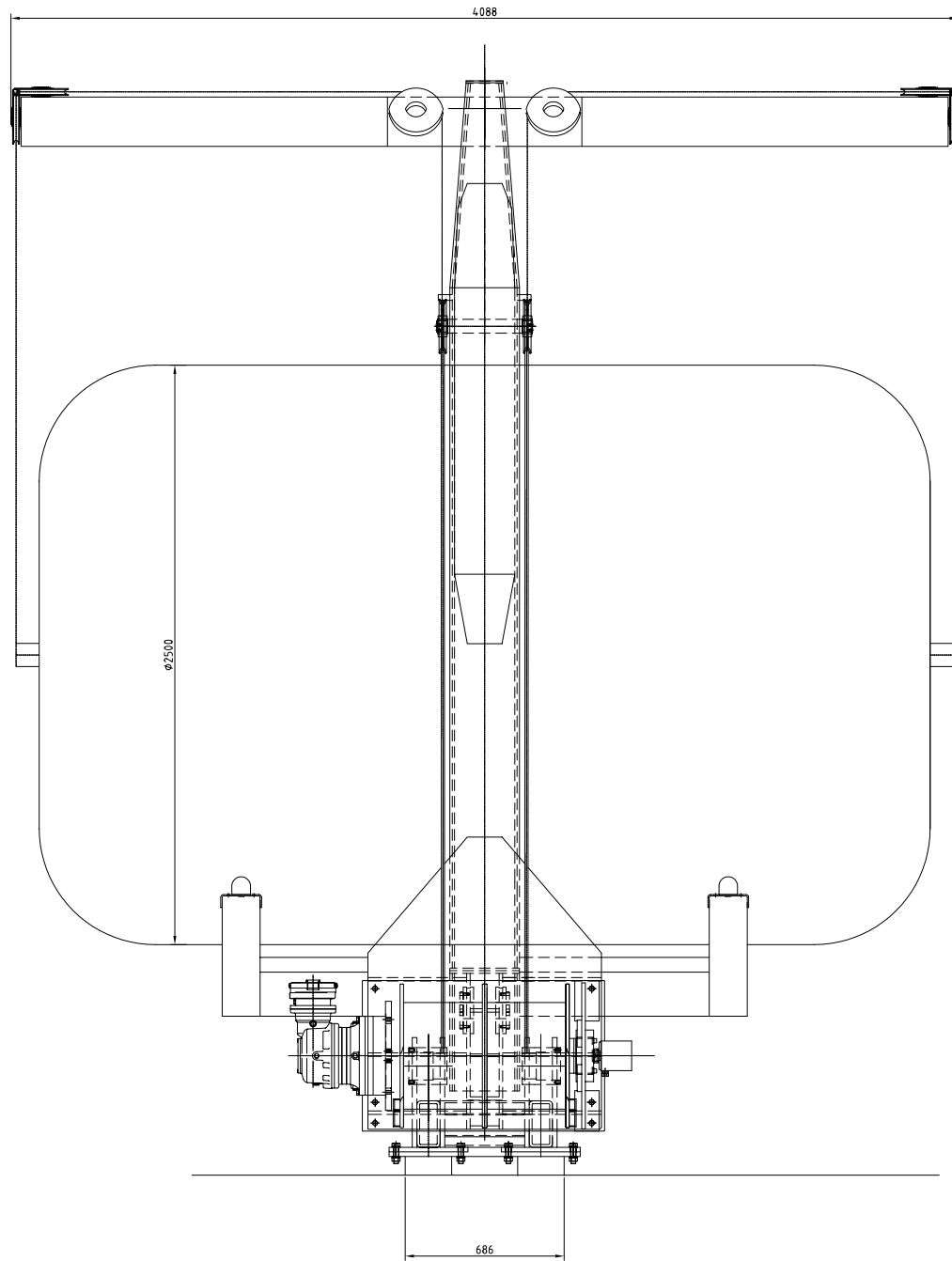
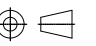



This drawing is for information only and must not be used for construction or fabrication, prior to final design.



Rev.		Date	Description	Name	TOLERANCES	
D	-	-	-	-	NEN-ISO 2768-1	
C	-	-	-	-	PROJECTION	
B	-	-	-	-		
A	-	-	-	-	DRAWING NUMBER: A-101764 SIZE: A1 REVISION: -	



**NED-DECK MARINE**  
Survival Systems & Deck Equipment

Vollstraat 22  
3711 RZ Barneveld  
Tel: (+31) 362-422905  
Fax: (+31) 362-492117

TITEL: ARRANGEMENT "FD 2500"

DRAWN: RvB  
DATE: 10-05-'06  
APPROVED: -  
SCALE: 1:15

This drawing is the property of NED-DECK MARINE B.V. and may not be reproduced or distributed to third parties without their specific written consent.