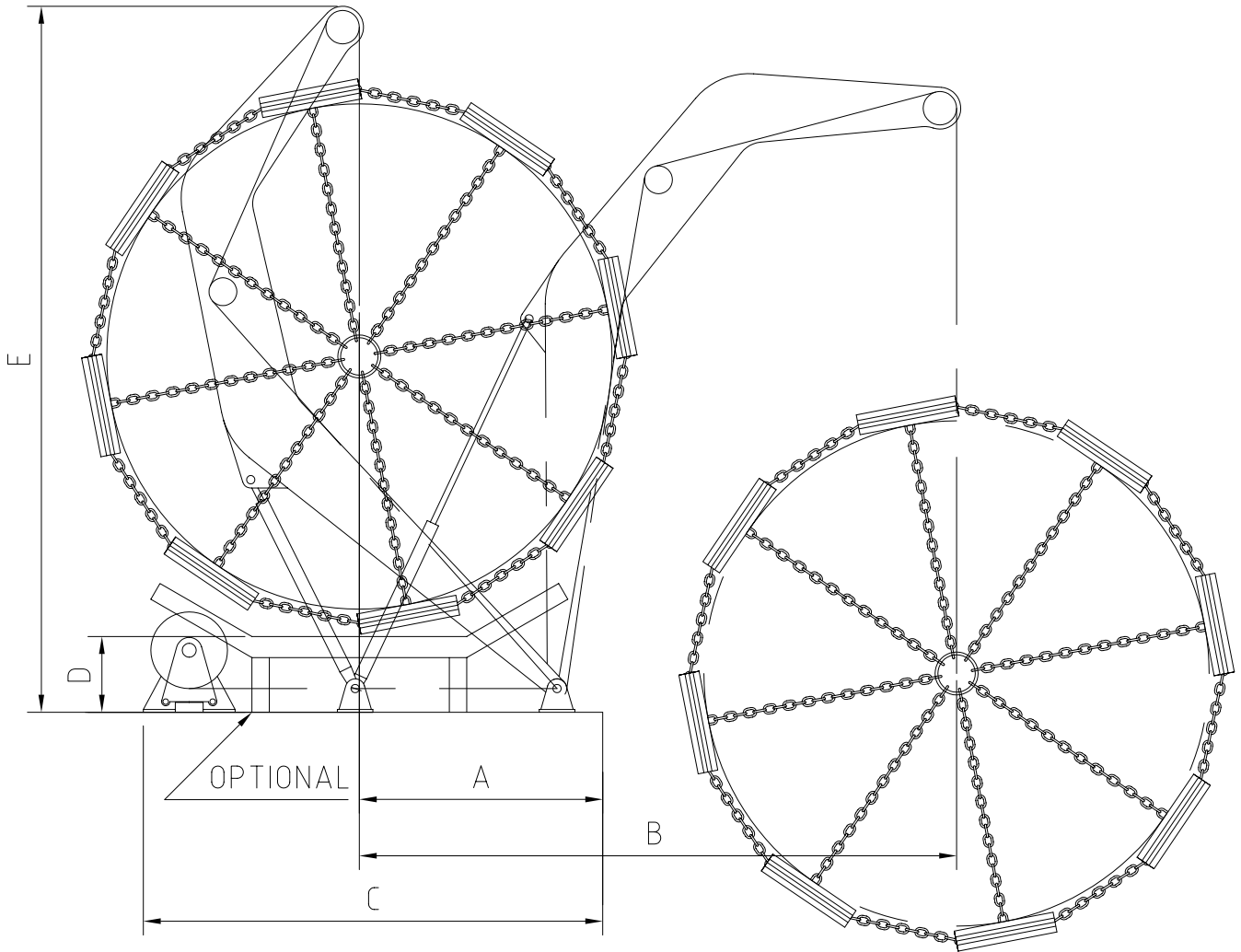
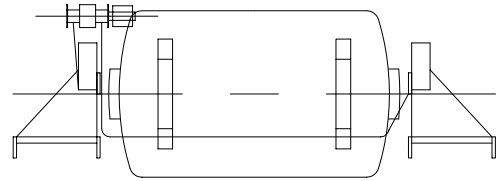


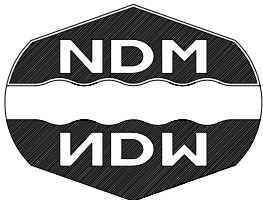
Rev.	Date	Description	Name
A	10.3.04	add PFH 25	RvB
B	16.7.04	change nr	RvB
C	30.8.04	New Layout	RvB
C	D	add FP 100	RvB



Davit type	FENDER DATA			APPROX. MAIN DIMENSIONS (mm)						
	FENDER TYPE	MAX. DAVIT LOAD	DIAMETER (mtr)	WEIGHT (t)	A	B	C	D	E	F
FD 25	25 kN	± 2.00	max. 2.5	1500	3200	2500	550	3500	-	Ø 10
FD 40	45 kN	± 3.00	max. 4	1750	4200	3300	550	5450	-	Ø 12
FD 60	65 kN	± 3.25	max. 6	2000	4200	3600	1550	5550	-	Ø 14
FD 80	80 kN	± 3.70	max. 8	2000	4200	3800	1650	5850	-	Ø 16
FD 100	100 kN	± 4.00	max. 10	2250	4400	4000	1750	6150	-	Ø 18

POSNR.	QUANT.	DESCRIPTION	MATERIAL	REMARKS	WEIGHT
--------	--------	-------------	----------	---------	--------

TITEL: DAVIT TYPE "FD"



NED-DECK MARINE
Survival Systems & Deck Equipment

Voltastraat 22
3771 RZ Barneveld
Tel.: (31) 342-422105
Fax: (31) 342-492717

DRAWN: WM	TOLERANCES	
DATE: 31-03-'99	NEN-ISO 2768-1	
APPROVED: WM	PROJECTION	
SCALE: 1:50		
DRAWING NUMBER	SIZE	REVISION
A-100118	A4	D

This drawing is the property of NED-DECK MARINE B.V.
It may not be copied or shown to any third parties