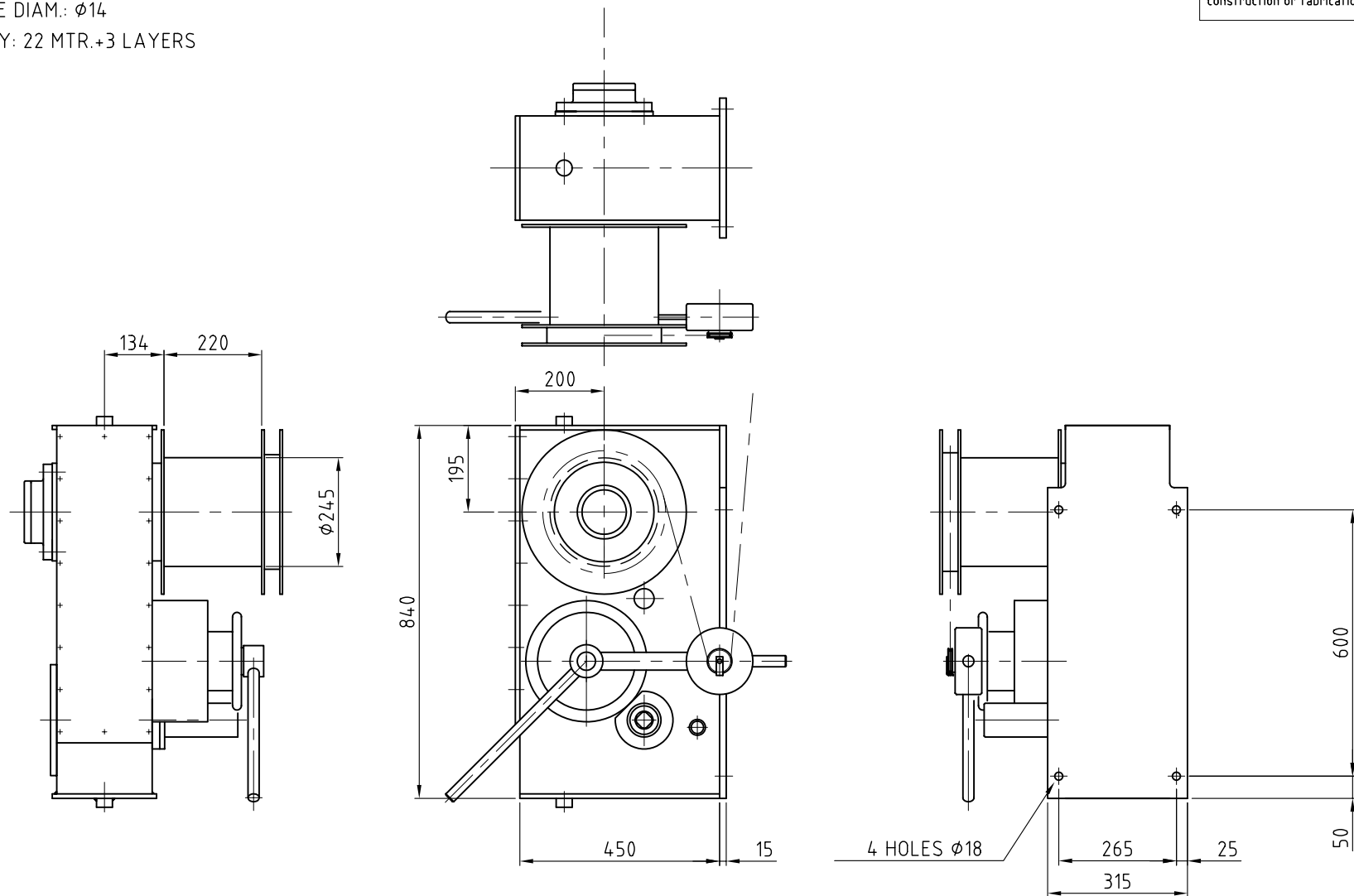
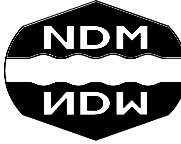
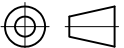


MAX. WIREROPE DIAM.:  $\phi 14$   
 DRUM CAPACITY: 22 MTR.+3 LAYERS

This drawing is for information only and must not be used for construction or fabrication, prior to final design.



LEFT HANDED WINCH HAS BEEN DRAWN  
 RIGHT HANDED WINCH IS IN OPPOSITE HAND

POSNR.	QUANT.	DESCRIPTION	MATERIAL	REMARKS	WEIGHT
		TITEL: ARRANGEMENT WINCH "TYPE 04-...M"			
		 <b>NED-DECK MARINE</b> Survival Systems & Deck Equipment Voltastraat 22 3771 RZ Barneveld Tel.: (+31) 342-422105 Fax: (+31) 342-492717	DRAWN: DG		TOLERANCES NEN-ISO 2768-1
			DATE: 18-06-'97		
			APPROVED: DG		PROJECTION 
			SCALE: 1:10		
		DRAWING NUMBER		SIZE	REVISION
		L-100063		A3	D
This drawing is the property of NED-DECK MARINE B.V. and may not be reproduced or distributed to third parties without their specific written consent					