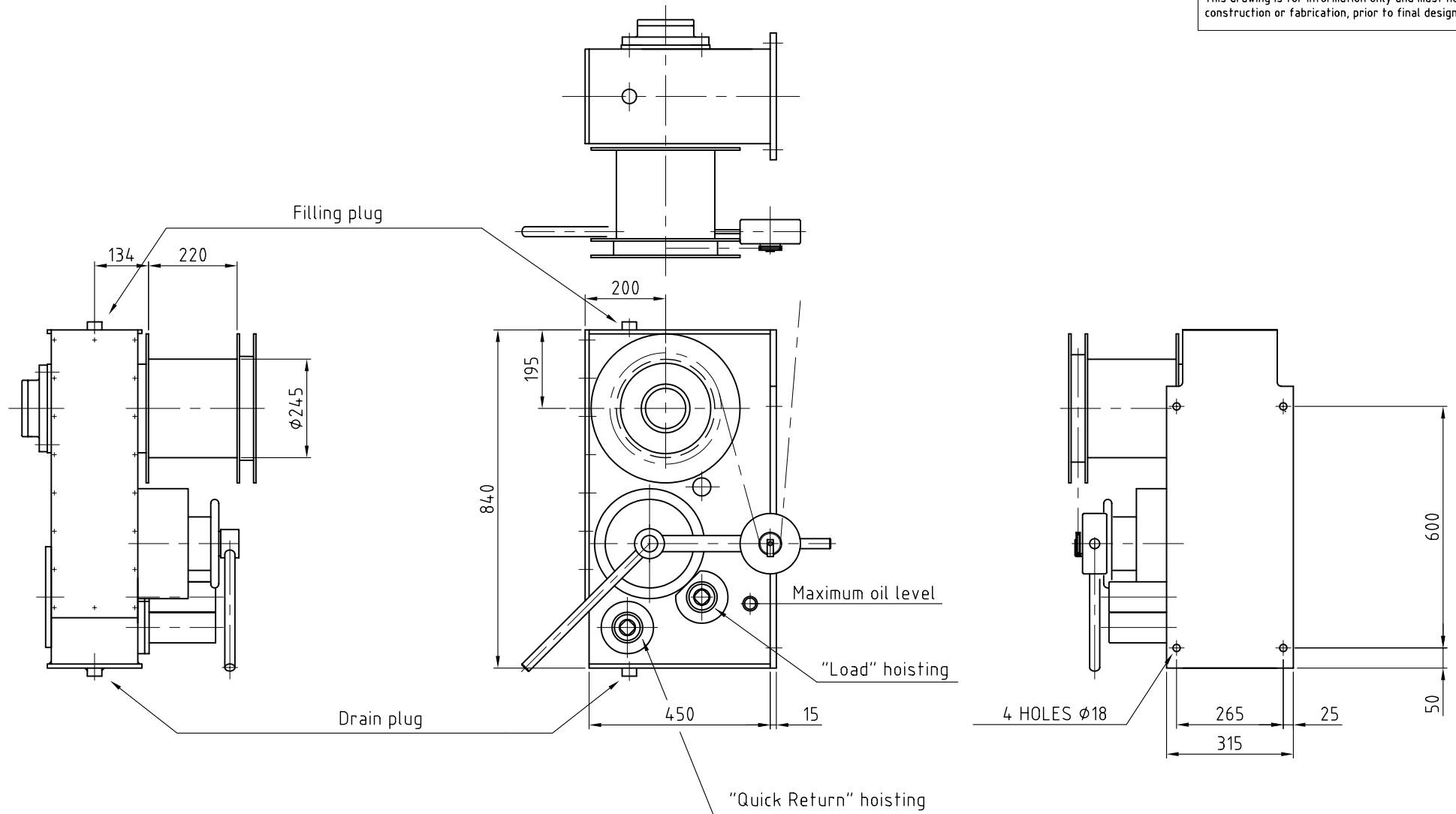
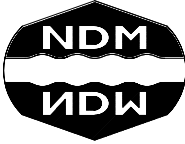
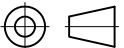


This drawing is for information only and must not be used for construction or fabrication, prior to final design.



LEFT HANDED WINCH HAS BEEN DRAWN  
RIGHT HANDED WINCH IS IN OPPOSITE HAND

POSNR.	QUANT.	DESCRIPTION	MATERIAL	REMARKS	WEIGHT
-	-	RvB			
-	-	RdR			
-	-	Update			
-	-	Text added			
-	-	17.9.04			
-	-	11.2.04			
D	C	A			
Rev.	Date	Description	Name		
<b>TITEL:</b> ARRANGEMENT WINCH "TYPE 04-...M" QR					
 <b>NED-DECK MARINE</b> Survival Systems & Deck Equipment Voltastraat 22 3771 RZ Barneveld Tel: (+31) 342-422105 Fax: (+31) 342-492717			DRAWN: RdR	<b>TOLERANCES</b> NEN-ISO 2768-1	
			DATE: 16-12-'02	APPROVED: -	
			SCALE: 1:10	PROJECTION 	
			DRAWING NUMBER L-100427	SIZE A3	REVISION B
This drawing is the property of NED-DECK MARINE B.V. and may not be reproduced or distributed to third parties without their specific written consent					