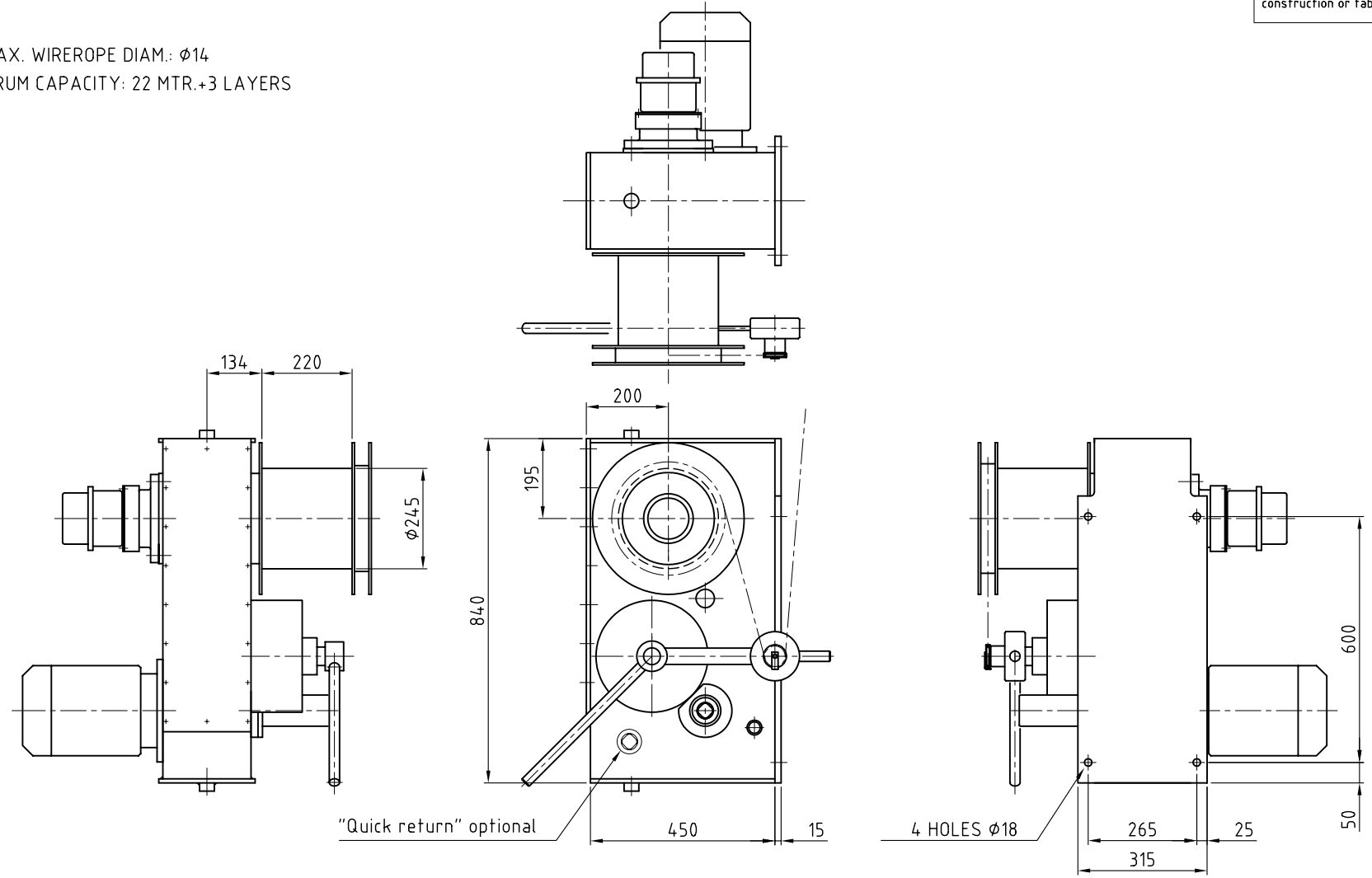

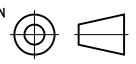


This drawing is for information only and must not be used for construction or fabrication, prior to final design.

MAX. WIREROPE DIAM.: $\phi 14$
 DRUM CAPACITY: 22 MTR.+3 LAYERS



LEFT HANDED WINCH HAS BEEN DRAWN
 RIGHT HANDED WINCH IS IN OPPOSITE HAND

POSNR.	QUANT.	DESCRIPTION	MATERIAL	REMARKS	WEIGHT
		TITEL: ARRANGEMENT WINCH "TYPE 04-E"			
		 NED-DECK MARINE Survival Systems & Deck Equipment Voltastraat 22 3771 RZ Barneveld Tel: (+31) 342-422105 Fax: (+31) 342-492717	DRAWN: DG		TOLERANCES NEN-ISO 2768-1
			DATE: 11-04-'97		
			APPROVED: R.v.d.Ham		PROJECTION 
			SCALE: 1:10		
		DRAWING NUMBER		SIZE	REVISION
		63-21-00-01		A3	B
This drawing is the property of NED-DECK MARINE B.V. and may not be reproduced or distributed to third parties without their specific written consent					