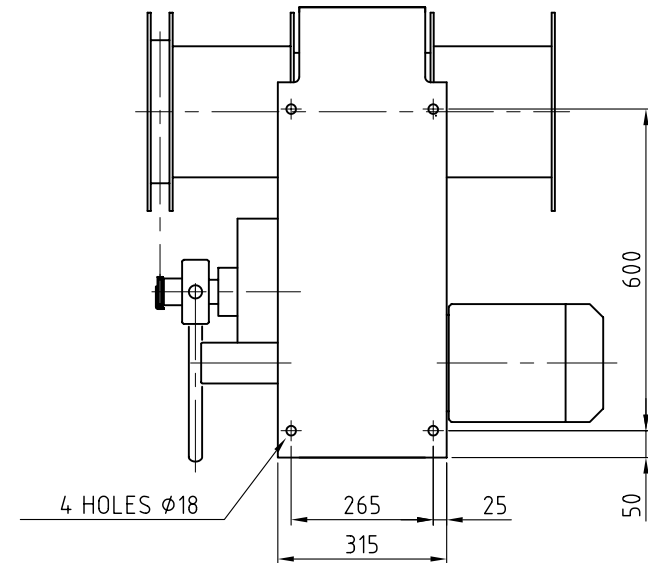
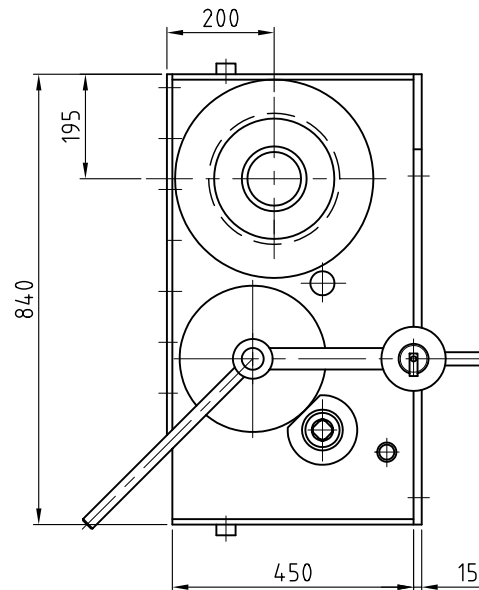
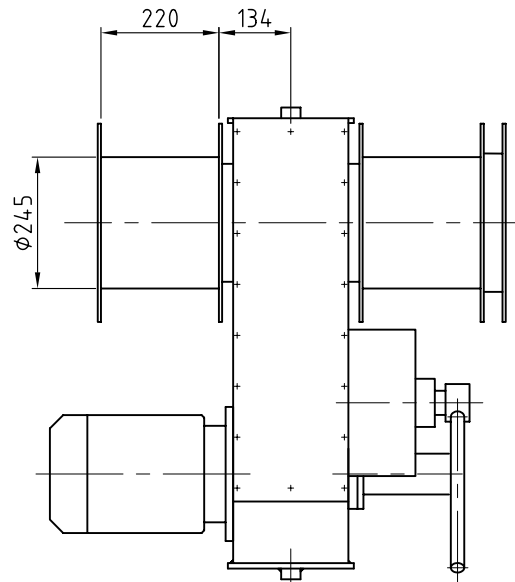

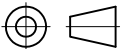


This drawing is for information only and must not be used for construction or fabrication, prior to final design.

MAX. WIREROPE DIAM.: $\phi 14$
 DRUM CAPACITY: 2 x 22 MTR.+ 3 LAYERS



LEFT HANDED WINCH HAS BEEN DRAWN
 RIGHT HANDED WINCH IS IN OPPOSITE HAND

POSNR.	QUANT.	DESCRIPTION	MATERIAL	REMARKS	WEIGHT
-	-	-	-	-	-
-	-	-	-	-	-
-	-	-	-	-	-
-	-	-	-	-	-
D	C	A	17-09-04update	TITEL: ARRANGEMENT WINCH "TYPE 04-04E DOUBLE DRUM"  NED-DECK MARINE Survival Systems & Deck Equipment Voltastraat 22 3771 RZ Barneveld Tel.: (+31) 342-422105 Fax: (+31) 342-492717	
Rev.	Date	Description	Name	DRAWN: DG DATE: 10-06-'99 APPROVED: - SCALE: 1:10 DRAWING NUMBER: L-100400 TOLERANCES: NEN-ISO 2768-1 PROJECTION: 	
				SIZE: A3	REVISION: A

This drawing is the property of NED-DECK MARINE B.V. and may not be reproduced or distributed to third parties without their specific written consent