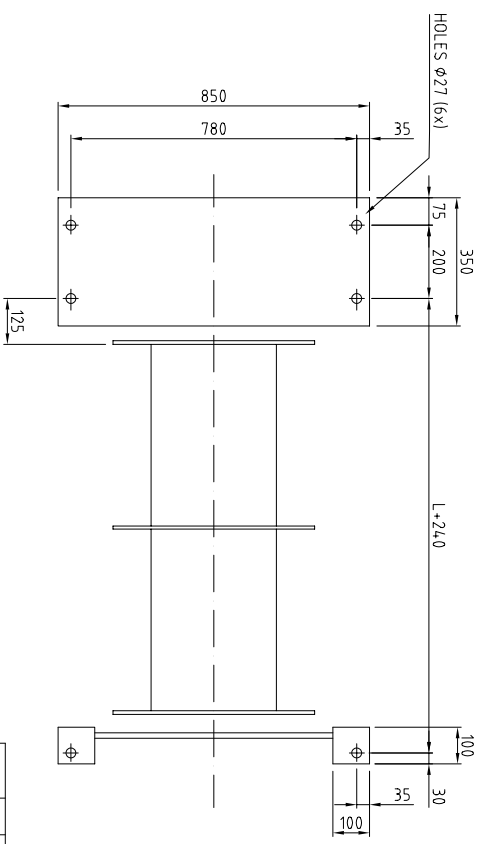
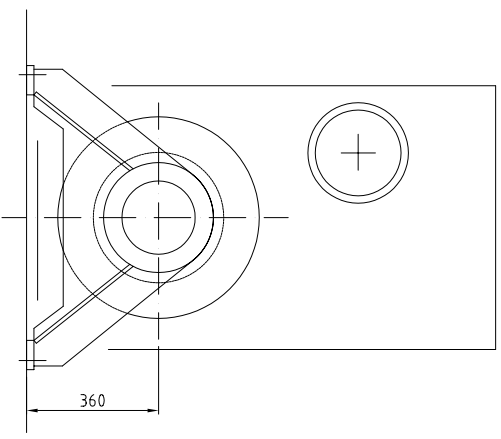
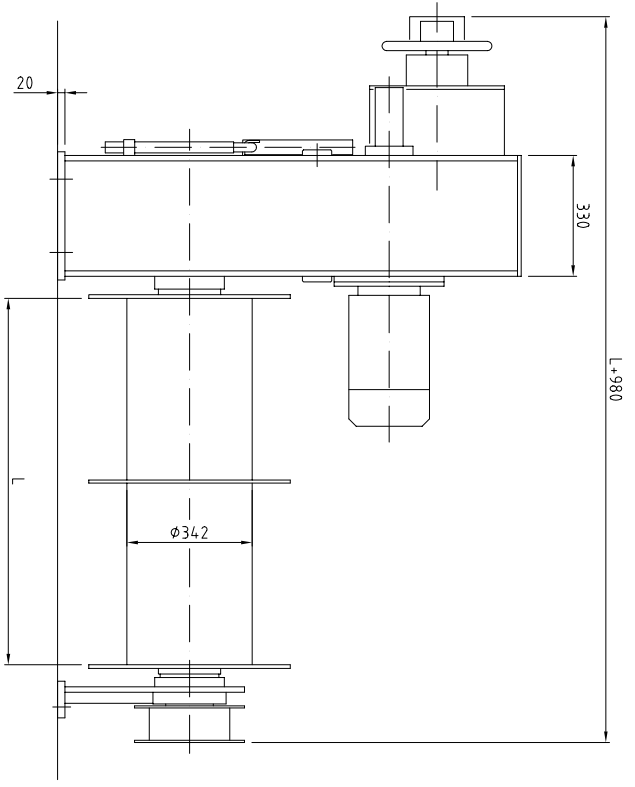
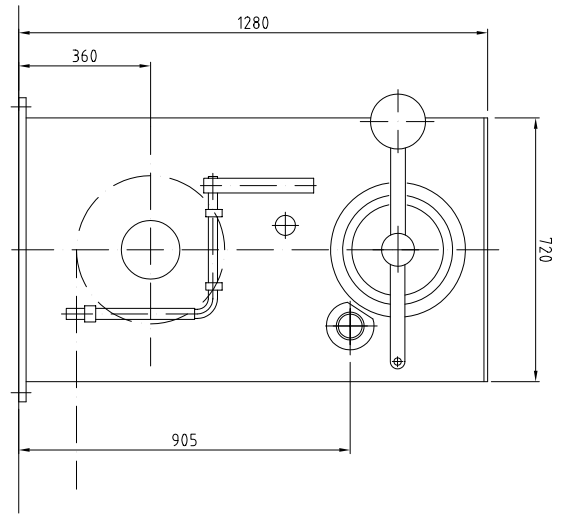


This drawing is for information only and must not be used for construction or fabrication prior to final design.



REV	DATE	DESCRIPTION	NAME	QUANT	MATERIAL	REMARKS	WEIGHT
D	17.9.04	Update	R-vB				
C	28.5.98	Cranck Handle	DG				
B	9.4.98	Revised	DG				
A	22.9.97	Revised	DG				

		NED-DECK MARINE Survival Systems & Deck Equipment	
Volantstraat 22 3718Z Bovenkarspel The Netherlands Tel. (31) 362-249277 Fax (31) 362-249277		DRAWN: DG DATE: 01-09-97 APPROVED: - SCALE: 1:10 PROJECTION:	
DRAWING NUMBER: L-100078		TOLERANCES: NEN-ISO 2768-1 SIZE: A2 REVISION: D	

ARRANGEMENT 15-01 WINCH

This drawing is the property of NED-DECK MARINE B.V. and may not be reproduced or distributed in any form or by any means, electronic or mechanical, including photocopying, recording, or by any information storage and retrieval system, without the express written permission of NED-DECK MARINE B.V.