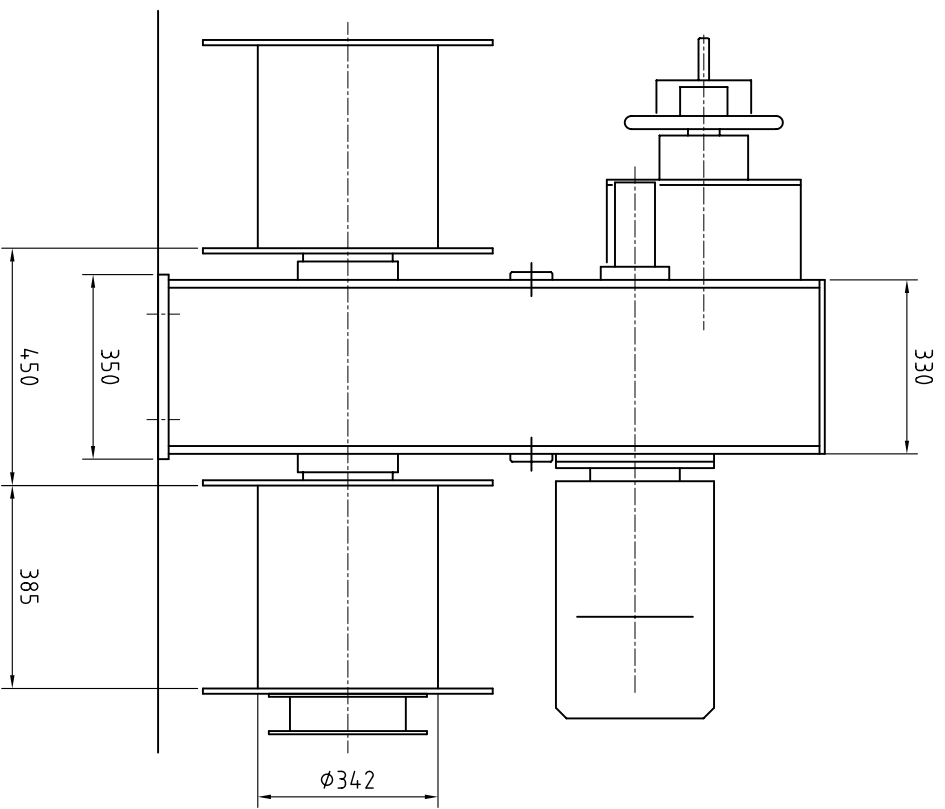
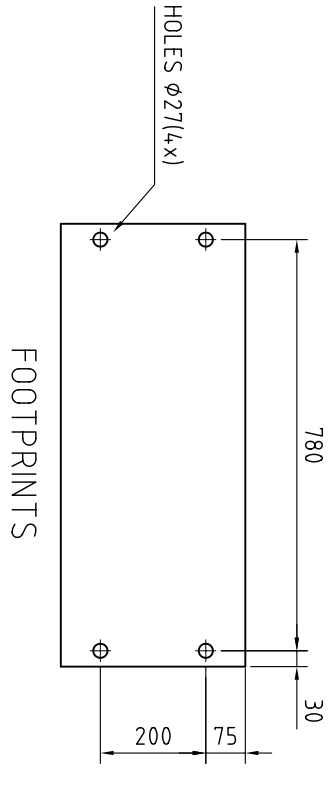
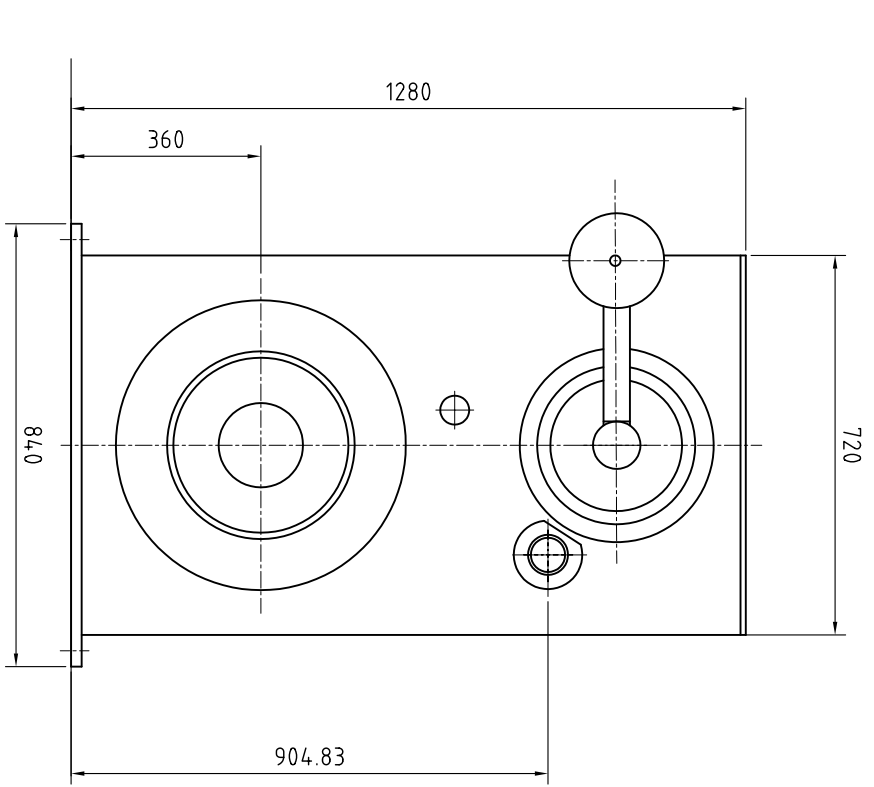


This drawing is for information only and must not be used for construction or fabrication, prior to final design.



Rev.	Date	Description	Name
D	-	-	-
C	17.9.04	Update	RvB
B	25.4.02	New Layout	RvB
A	6.2.02	size engineer rotor	RvB

FORMER	QUANT.	DESCRIPTION	MATERIAL	REMARKS	WEIGHT
		TITLE: ARRANGEMENT WINCH "TYPE 15-02"			

<p><b>NDM</b> Survival Systems &amp; Deck Equipment</p>	<p><b>NDM</b> VOLKSTRAAT 22 3717 ZW BURELDA Tel: (+31) 342-492705 Fax: (+31) 342-492717</p>	<p>DRAWN: RDR DATE: 14-09-'01 APPROVED: - SCALE: 1:10</p>	<p>TOLERANCES NEN-ISO 2768-1</p>
	<p>DRAWING NUMBER L-100404</p>	<p>PROJECTION</p>	<p>SIZE A3</p>

This drawing is the property of MED-DECK MARINE B.V. and may not be reproduced or distributed to third parties without their specific written consent.