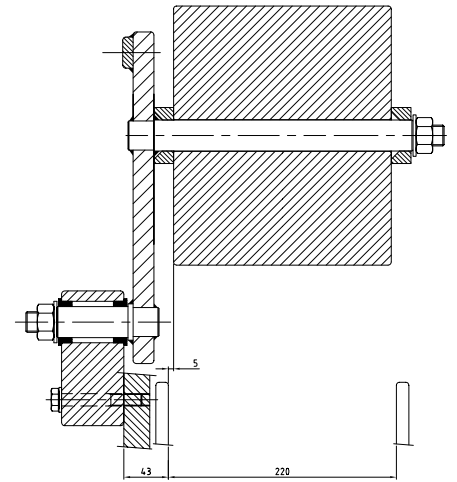
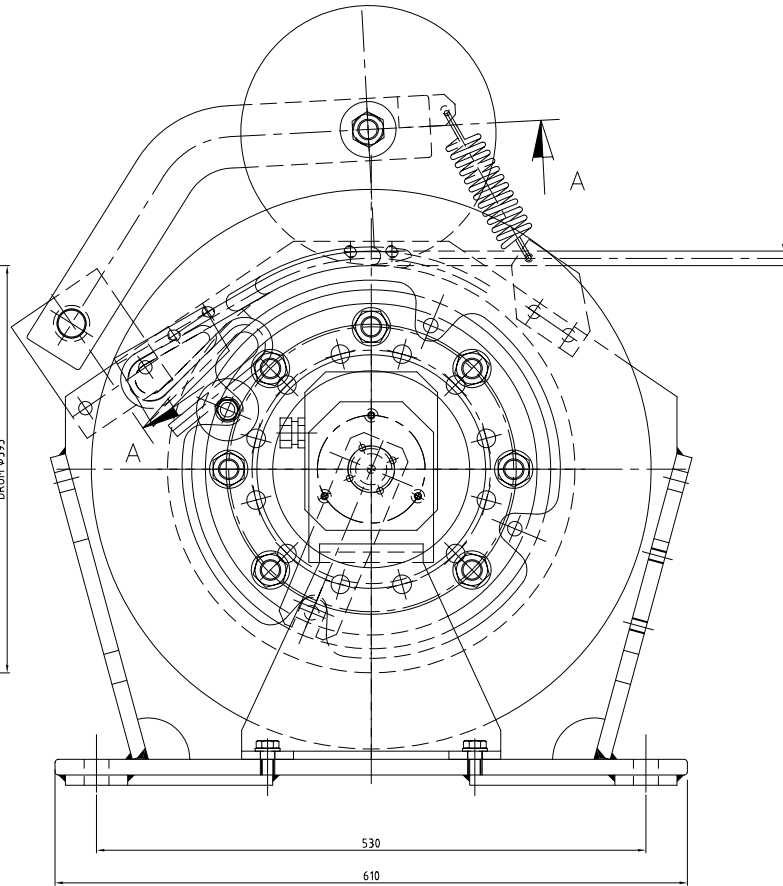
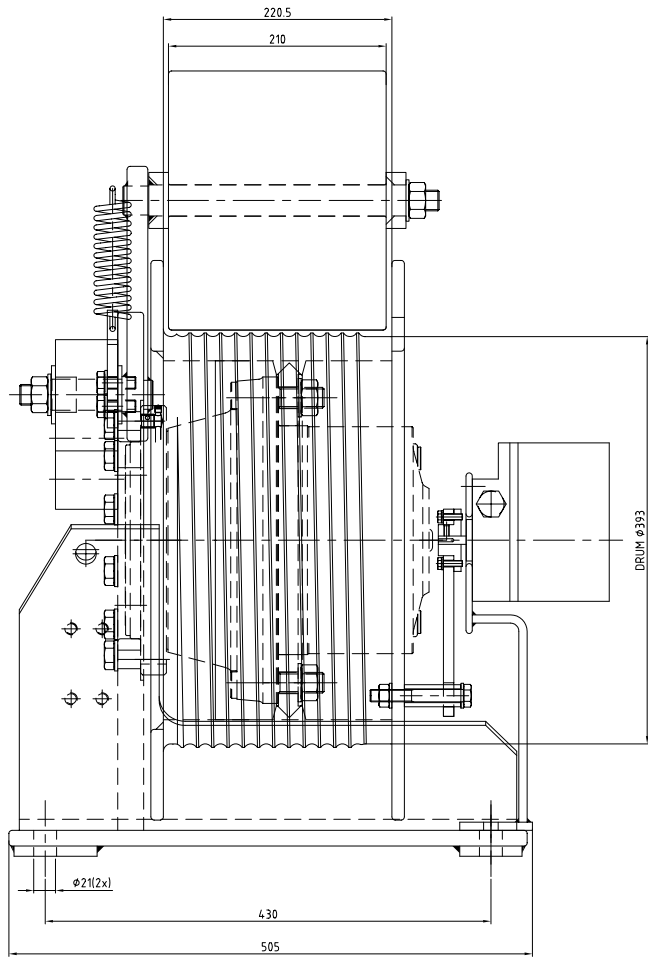




This drawing is for information only and must not be used for construction or fabrication, prior to final design.



SECTION A-A

TOTAL WEIGHT APPROX. 305 kg

NO.	QTY	DESCRIPTION	MATERIAL	REMARKS	WEIGHT
TITLE: Assembly winch 3 ton (CDW) with pressure roll					
 <b>NED-DECK MARINE</b> Survival Systems & Deck Equipment			DRAWN: RvB DATE: 26-09-04 APPROVED: - SCALE: 1:2.5 DRAWING NUMBER: A-101138	TOLERANCES: NEN-ISO 2768-1 PROJECTION: 	
<small>This drawing is the property of NED-DECK MARINE B.V. and may not be reproduced or distributed to third parties without their specific written consent.</small>					
SIZE: A1 REVISION: -					