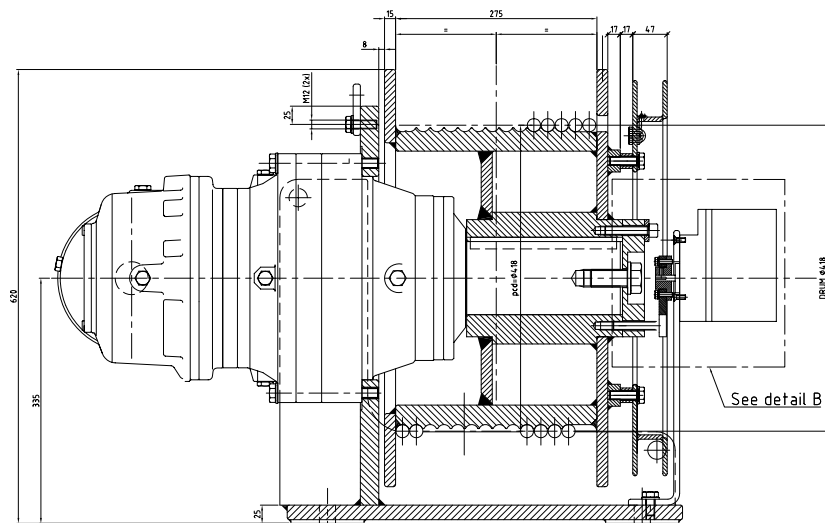
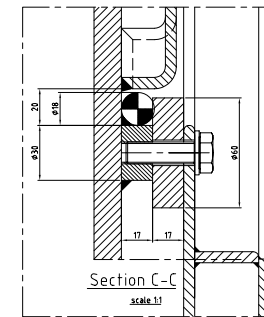
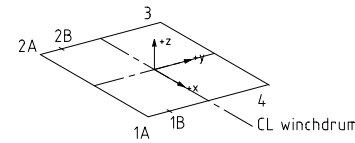
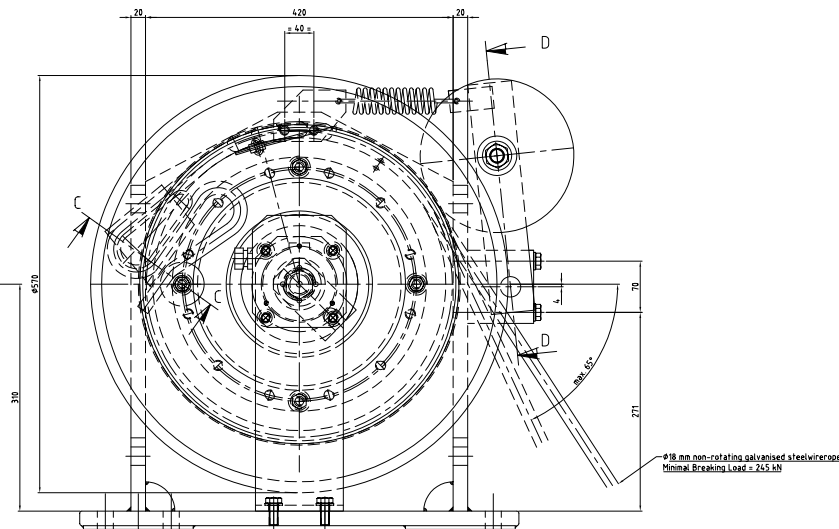


MAX SUPPORT LOADS		1A	2A	1B	2B	3	4
$F_x$	-8	-7	-1	-2	7	11	kN.
$F_y$	-1	-8	-12	13	-27	5	kN.
$F_z$	3	4	-22	-20	4.1	-7	kN.

-- Tension



SECTION A-A



Total weight approximately 565 kg

This drawing is for information only and must not be used for construction or fabrication, prior to final design.

REV	DATE	DESCRIPTION	BY	CHECKED	APPROVED
1		Assem. winch 3,5 ton Solas (RR) with press. roll and RC			
			NED-DECK MARINE Revised Systems & Boat Equipment ESTABLISHED IN 1988 100% LOCAL MANUFACTURE		
SCALE: 12.5, 1:1 DRAWING NO: A-101139 SHEET: A0			PROJECT: 25-029-01 MANUFACTURE:		