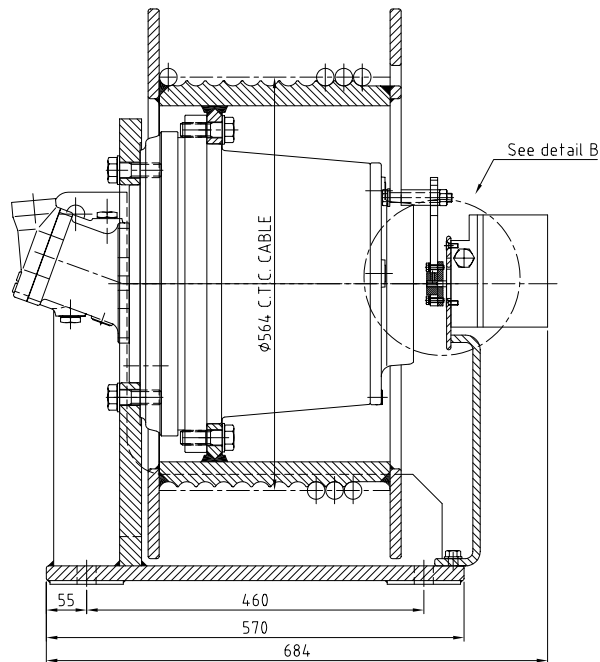
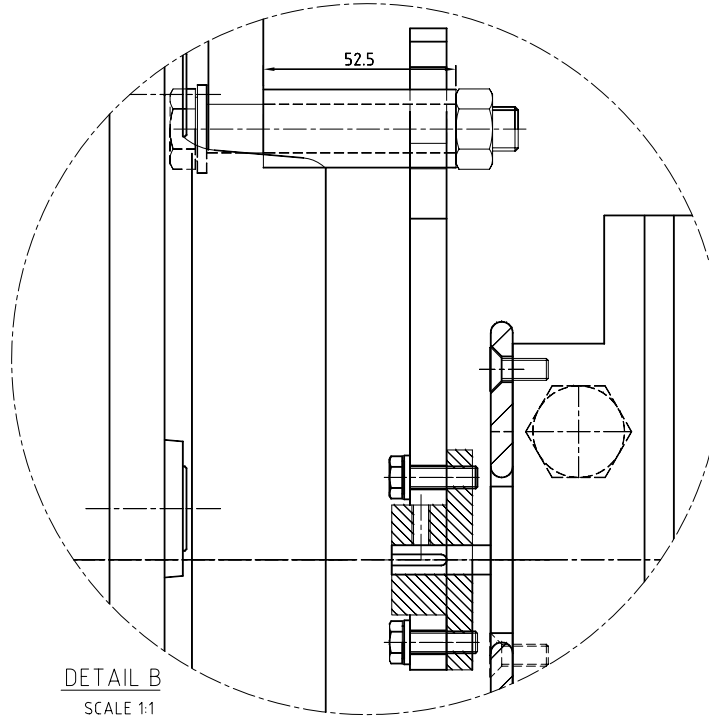
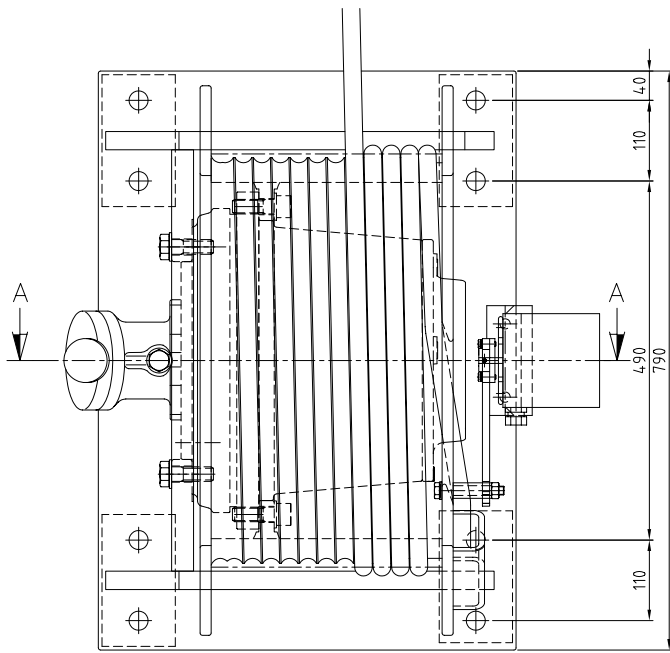
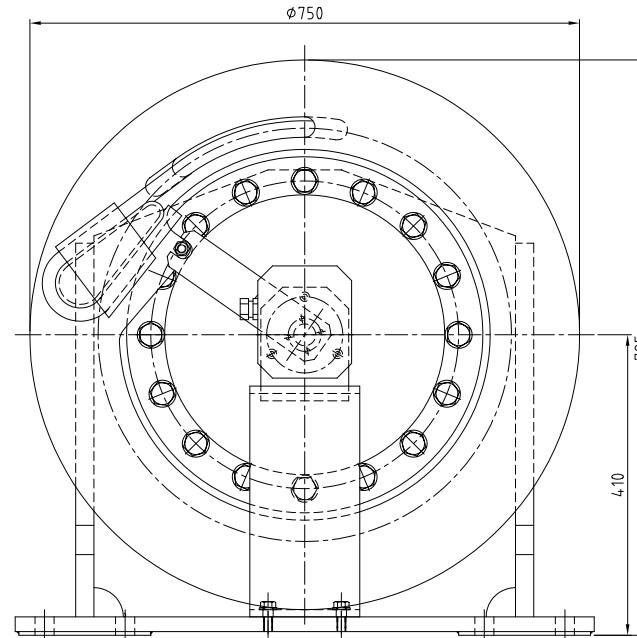



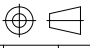
This drawing is for information only and must not be used for construction or fabrication, prior to final design.



Section A-A



Total weight approximately 590 kg

| POSNR.   | QUANT. | DESCRIPTION                   | MATERIAL   | REMARKS   | WEIGHT                  |        |  |                               |  |  |  |      |      |             |  |      |  |   |  |  |  |  |  |   |  |  |  |  |  |   |  |  |  |  |  |   |  |  |  |  |  |   |  |  |  |  |  |
|--|--------|-------------------------------|--|---|-------------------------|--------|--|-------------------------------|--|--|--|------|------|-------------|--|------|--|---|--|--|--|--|--|---|--|--|--|--|--|---|--|--|--|--|--|---|--|--|--|--|--|---|--|--|--|--|--|
| <table border="1" style="width: 100%;"> <tr> <td colspan="2">TITEL:</td> <td colspan="4">GENERAL ASSEMBLY WINCH 10 TON</td> </tr> <tr> <td>Rev.</td> <td>Date</td> <td colspan="2">Description</td> <td>Name</td> <td></td> </tr> <tr> <td>0</td> <td></td> <td colspan="2"></td> <td></td> <td></td> </tr> <tr> <td>1</td> <td></td> <td colspan="2"></td> <td></td> <td></td> </tr> <tr> <td>2</td> <td></td> <td colspan="2"></td> <td></td> <td></td> </tr> <tr> <td>3</td> <td></td> <td colspan="2"></td> <td></td> <td></td> </tr> <tr> <td>4</td> <td></td> <td colspan="2"></td> <td></td> <td></td> </tr> </table> |        |                               |  |   |                         | TITEL: |  | GENERAL ASSEMBLY WINCH 10 TON |  |  |  | Rev. | Date | Description |  | Name |  | 0 |  |  |  |  |  | 1 |  |  |  |  |  | 2 |  |  |  |  |  | 3 |  |  |  |  |  | 4 |  |  |  |  |  |
| TITEL:   |        | GENERAL ASSEMBLY WINCH 10 TON |  |   |                         |        |  |                               |  |  |  |      |      |             |  |      |  |   |  |  |  |  |  |   |  |  |  |  |  |   |  |  |  |  |  |   |  |  |  |  |  |   |  |  |  |  |  |
| Rev.   | Date   | Description                   |  | Name  |                         |        |  |                               |  |  |  |      |      |             |  |      |  |   |  |  |  |  |  |   |  |  |  |  |  |   |  |  |  |  |  |   |  |  |  |  |  |   |  |  |  |  |  |
| 0  |        |                               |  |   |                         |        |  |                               |  |  |  |      |      |             |  |      |  |   |  |  |  |  |  |   |  |  |  |  |  |   |  |  |  |  |  |   |  |  |  |  |  |   |  |  |  |  |  |
| 1  |        |                               |  |   |                         |        |  |                               |  |  |  |      |      |             |  |      |  |   |  |  |  |  |  |   |  |  |  |  |  |   |  |  |  |  |  |   |  |  |  |  |  |   |  |  |  |  |  |
| 2  |        |                               |  |   |                         |        |  |                               |  |  |  |      |      |             |  |      |  |   |  |  |  |  |  |   |  |  |  |  |  |   |  |  |  |  |  |   |  |  |  |  |  |   |  |  |  |  |  |
| 3  |        |                               |  |   |                         |        |  |                               |  |  |  |      |      |             |  |      |  |   |  |  |  |  |  |   |  |  |  |  |  |   |  |  |  |  |  |   |  |  |  |  |  |   |  |  |  |  |  |
| 4  |        |                               |  |   |                         |        |  |                               |  |  |  |      |      |             |  |      |  |   |  |  |  |  |  |   |  |  |  |  |  |   |  |  |  |  |  |   |  |  |  |  |  |   |  |  |  |  |  |
|  <b>NED-DECK MARINE</b><br>Survival Systems & Deck Equipment<br>Vollastraat 22<br>3771 RZ Barneveld<br>Tel: (+31) 342-442295<br>Fax: (+31) 342-492117   |        |                               | DRAWN: RvB<br>DATE: 20-09-04<br>APPROVED: -<br>SCALE: 1:5/(1:10) | TOLERANCES<br>NEN-ISO 2768-1<br>PROJECTION<br> |                         |        |  |                               |  |  |  |      |      |             |  |      |  |   |  |  |  |  |  |   |  |  |  |  |  |   |  |  |  |  |  |   |  |  |  |  |  |   |  |  |  |  |  |
| DRAFTING NUMBER: A-101140  |        |                               |  |   | SIZE: A2<br>REVISION: - |        |  |                               |  |  |  |      |      |             |  |      |  |   |  |  |  |  |  |   |  |  |  |  |  |   |  |  |  |  |  |   |  |  |  |  |  |   |  |  |  |  |  |

This drawing is the property of NED-DECK MARINE B.V. and may not be reproduced or distributed to third parties without their specific written consent.